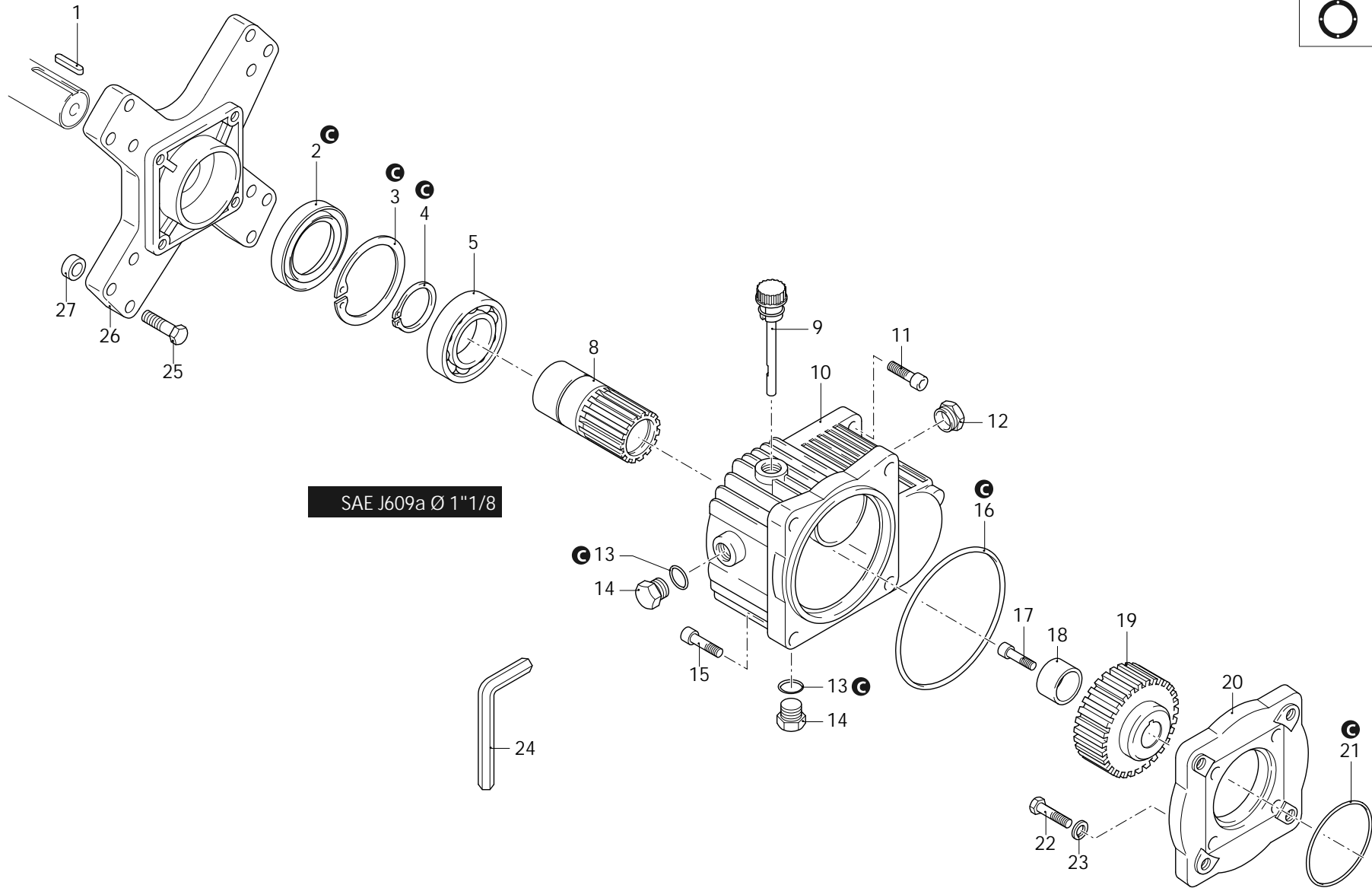
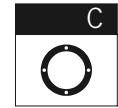




Gear Box
CR 1"1/8





Gear Box

CR 1"1/8

P	Code	Description	Q	Note	Validity	P	Code	Description	Q	Note	Validity
1	1941910	Key	1								
2	1941920	Ring	1	seal							
3	961790	Ring	1	seeger Øi 68							
4	320240	Ring	1	seeger Øe 40							
5	961781	Bearing	1								
8	1941870	Pinion	1	Z=23							
9	1140370	Plug	1								
10	1320910	Box	1								
11	881940	Screw	4	TCEI M8x25						Screw with Loxeal 55-14 / C=24Nm	
12	1983700	Level gauge	1	3/8" G						C=20Nm	
13	740290	O-ring	2	Ø 14x1,78						Lubricate with grease Molykote PG54	
14	1980740	Plug	2	3/8" G brass						C=20Nm	
15	160671	Screw	1	TCEI M10x25						Screw with Loxeal 55-14 / C=24Nm	
16	1520590	O-ring	1	Ø 107,67x1,78							
17	880280	Screw	1	TCEI M6x18						Screw with Loxeal 55-14 / C=10Nm	
18	1940500	Spacer	1								
19	1321230	Gear	1	Z=45							
20	1320930	Flange	1								
21	640030	O-ring	1	Ø 59,99x2,62							
22	390450	Screw	4	TE M8x30						Screw with Loxeal 55-14 / C=24Nm	
23	2820500	Washer	4								
24	1380630	Key	1								
25	1941890	Screw	4	TE 3/8"							
26	1320940	Flange	1								
27	1941880	Spacer	4								
C	2571	Oil seal kit	1								

Revision: 1

Oil type: ISO VG 220

Attachment:

Date: 17/01/2023

Oil quantity: 0,210 Kg

C= Tightening torque (Tolerance +0 ÷ -10%)

** = Not present for electric pump*