



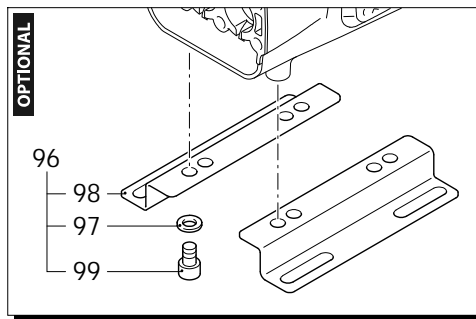
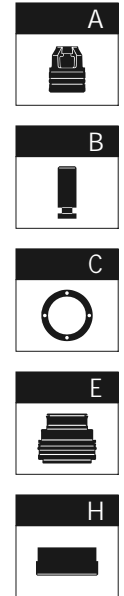
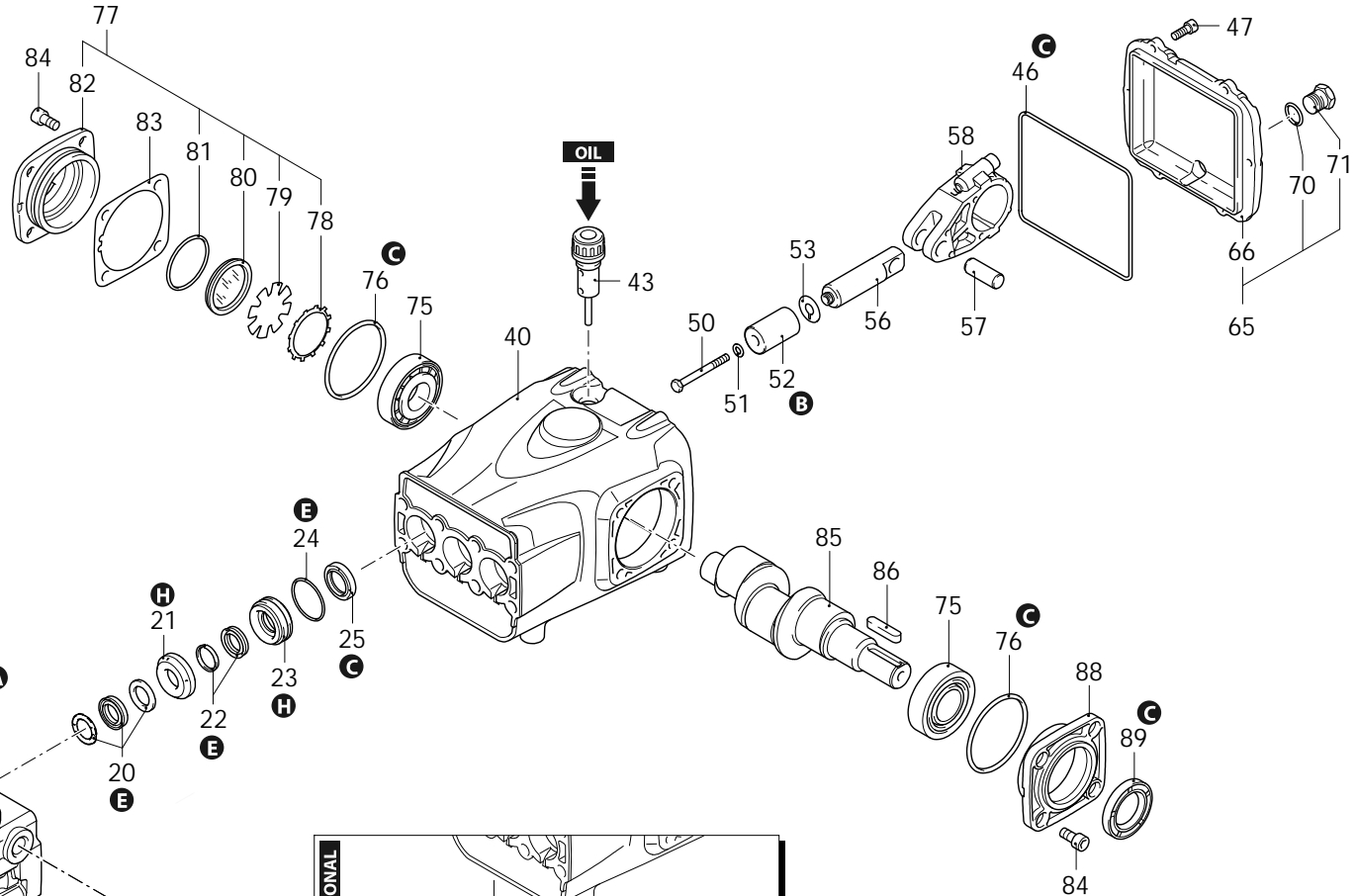
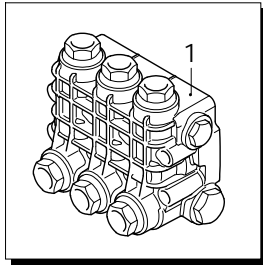
Series 402

SRG

N

1450rpm

ø 24mm



AR-1_000045_v01

15/12/2022



Series 402
SRG

N

1450rpm

Ø 24mm

P	Code	Description	Q	Note	Validity	P	Code	Description	Q	Note	Validity
1	4029209	Head assembly	Ø 20	1		80	4020160	Level gauge	1		
2	4020380	Head		1		81	3680250	O-ring	Ø 45,69x2,62	1	
3	820361	Plug	1/2" G brass	1	C=40Nm	82	4020150	Cover		1	
4	180101	O-ring	Ø 17,5x2	1	Lubricate with grease Molykote PG54	83	4020100	Shim 0.05mm		1	
5	1980740	Plug	3/8" G brass	1	C=20Nm	83	4020110	Shim 0.10mm		1	
6	740290	O-ring	Ø 14x1,78	1	Lubricate with grease Molykote PG54	83	4020120	Shim 0.19mm		1	
9	1940940	Plug		6		83	4020130	Shim 0.25mm		1	
10	1941070	Ring	anti-extrusion	6		84	850370	Screw	TCEI M8x16	8	C=24,5Nm
11	1949051	Complete valve		6		85	1943710	Shaft	15 marked	1	
12	880830	O-ring	Ø 15,54x2,62	6		86	650250	Key		1	
20	2820400	Sealing system	primary	3	Lubricate with grease Molykote PG54	88	4020040	Cover		1	C=25Nm
21	4020400	Piston guide	front Ø 20	3		89	820681	Ring	seal	1	Screw with Loxeal 55-14 / C=10Nm
22	3660430	Sealing system	primary Ø 20	3	Lubricate with grease Molykote PG54	96	2748	Foot kit		1	
23	4020410	Piston guide	rear Ø 20	3		97	200231	Washer		4	
24	820490	O-ring	Ø 34,65x1,78	3		98	1940370	Foot		2	
25	1943730	Ring	seal	3		99	1940380	Screw	TCEI 10x18	4	C=50Nm
40	4020010	Pump body		1		A	2871	Valve kit		1	
41	850260	Screw	TCEI M10x90	8	C=50Nm	B	46939	Piston kit	Ø 20	1	
42	650530	Washer		8		C	46940	Oil seal kit		1	
43	1140370	Plug		1		E	46941	Water seal kit	Ø 20	1	
46	1940410	O-ring	Ø 132x3	1		H	46942	Piston guide kit	Ø 20	1	
47	1200430	Screw	TCEI M6x16	6	Screw with Loxeal 55-14 / C=10Nm						
50	4020430	Screw	TE M6x65	3	Screw with Loxeal 55-14						
51	1340600	Washer		3							
52	4020420	Piston	Ø 20	3							
53	1383190	Plate		3							
56	1940960	Piston	guide	3							
57	1940060	Pin		3							
58	1943720	Connecting-rod	aluminium	3							
65	4029001	Cover	complete	1							
66	4020030	Cover		1							
70	740290	O-ring	Ø 14x1,78	1	Lubricate with grease Molykote PG54						
71	1980740	Plug	3/8" G brass	1	C=20Nm						
75	1140410	Bearing		2							
76	1941380	O-ring	Ø 66,34x2,62	2							
77	4029000	Cover	complete	1							
78	4020080	Ring		1							
79	4020070	Plate		1							

Revision: 1

Oil type: SAE 15W40

Attachment:

Date: 15/12/2022

Oil quantity: 0,960 Kg

C=Tightening torque (Tolerance +0 ÷ -10%)