



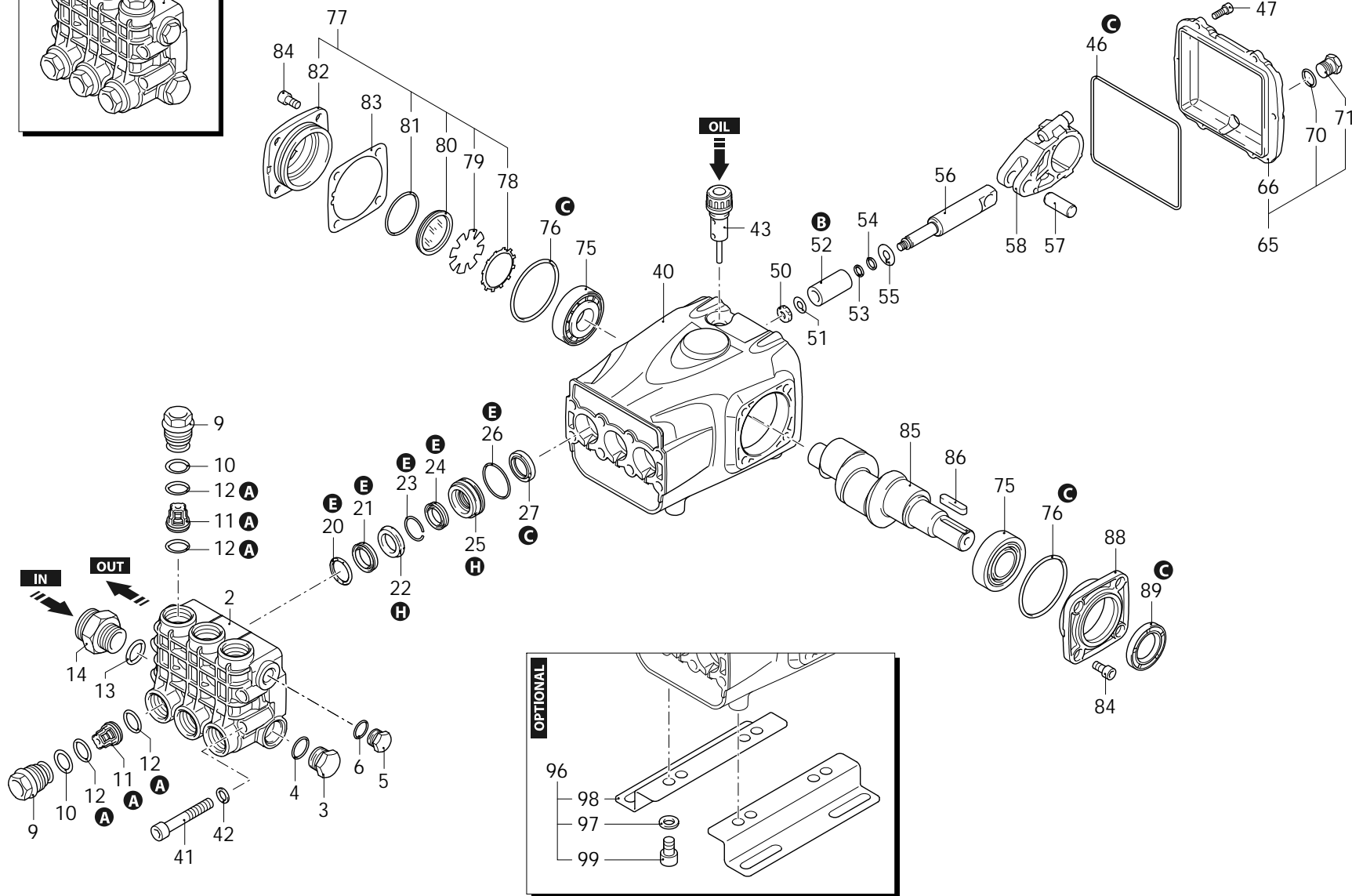
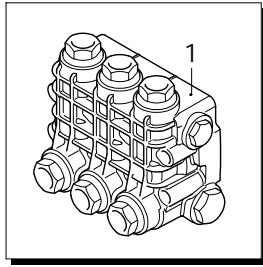
Series 402

RGL

N

1450rpm

ø 24mm



- A**
- B**
- C**
- E**
- H**

AR-1\_000042\_v01

15/12/2022



Series 402

RGL

N

1450rpm

Ø 24mm

P	Code	Description	Q	Note	Validity	P	Code	Description	Q	Note	Validity
1	4029204	Head assembly	Ø 28	1		71	1980740	Plug	3/8" G brass	1	C=20Nm
2	4020260	Head		1		75	1140410	Bearing		2	
3	1140300	Plug	3/4" G	1	C=35Nm	76	1941380	O-ring	Ø 66,34x2,62	2	
4	550350	O-ring	Ø 23,81x2,62	1		77	4029000	Cover	complete	1	
5	1980740	Plug	3/8" G brass	1	C=20Nm	78	4020080	Ring		1	
6	740290	O-ring	Ø 14x1,78	1	Lubricate with grease Molykote PG54	79	4020070	Plate		1	
9	1944510	Plug		6	C=68Nm	80	4020160	Level gauge		1	
10	1940150	Ring	anti-extrusion	6		81	3680250	O-ring	Ø 45,69x2,62	1	
11	1949050	Complete valve		6		82	4020150	Cover		1	
12	1140450	O-ring	Ø 20,24x2,62	12	Lubricate with grease Molykote PG54	83	4020100	Shim 0.05mm		1	
13	550350	O-ring	Ø 23,81x2,62	1		83	4020110	Shim 0.10mm		1	
14	1943270	Fitting	1" G - 3/4" G (M-M)	1		83	4020120	Shim 0.19mm		1	
20	1941570	Ring	support Ø 28	3		83	4020130	Shim 0.25mm		1	
21	820630	Water seal	Ø 28 brown	3	Lubricate with grease Molykote PG54	84	850370	Screw	TCEI M8x16	8	C=24,5Nm
22	1140280	Piston guide	front Ø 28	3		85	1943280	Shaft	10 marked	1	
23	2520230	Ring	anti-extrusion	3		86	650250	Key		1	
24	2520360	Gasket	Ø 28	3	Lubricate with grease Molykote PG54	88	4020040	Cover		1	C=25Nm
25	1942260	Piston guide	rear Ø 28	3		89	820681	Ring	seal	1	Screw with Loxeal 55-14 / C=10Nm
26	1140490	O-ring	Ø 37,82x1,78	3		96	2748	Foot kit		1	
27	1940560	Ring	seal	3		97	200231	Washer		4	
40	4020010	Pump body		1		98	1940370	Foot		2	
41	1940260	Screw	TCEI M10x80	8	C=50Nm	99	1940380	Screw	TCEI 10x18	4	C=50Nm
42	650530	Washer		8		A	2780	Valve kit		1	
43	1140370	Plug		1		B	1849	Piston kit	Ø 28	1	
46	1940410	O-ring	Ø 132x3	1		C	47083	Oil seal kit		1	
47	1200430	Screw	TCEI M6x16	6	Screw with Loxeal 55-14 / C=10Nm	E	42708	Water seal kit	Ø 28	1	
50	1940570	Nut		3	Screw with Loxeal 55-14 / C=20Nm	H	42707	Piston guide kit	Ø 28	1	
51	1940580	Washer		3							
52	1140190	Piston	Ø 28	3							
53	880840	O-ring	Ø 9,25x1,78	3	Lubricate with grease Molykote G807						
54	1940120	Ring	anti-extrusion	3							
55	1140160	Plate		3							
56	1940070	Piston	guide	3							
57	1940060	Pin		3							
58	1940051	Connecting-rod	aluminium	3	Lubricate with grease Molykote BR2 PLUS / C=20Nm						
65	4029001	Cover	complete	1							
66	4020030	Cover		1							
70	740290	O-ring	Ø 14x1,78	1	Lubricate with grease Molykote PG54						

Revision: 1

Oil type: SAE 15W40

Attachment:

Date: 15/12/2022

Oil quantity: 0,960 Kg

*C=Tightening torque (Tolerance +0 ÷ -10%)*

27369 - RGL 50.15 N