



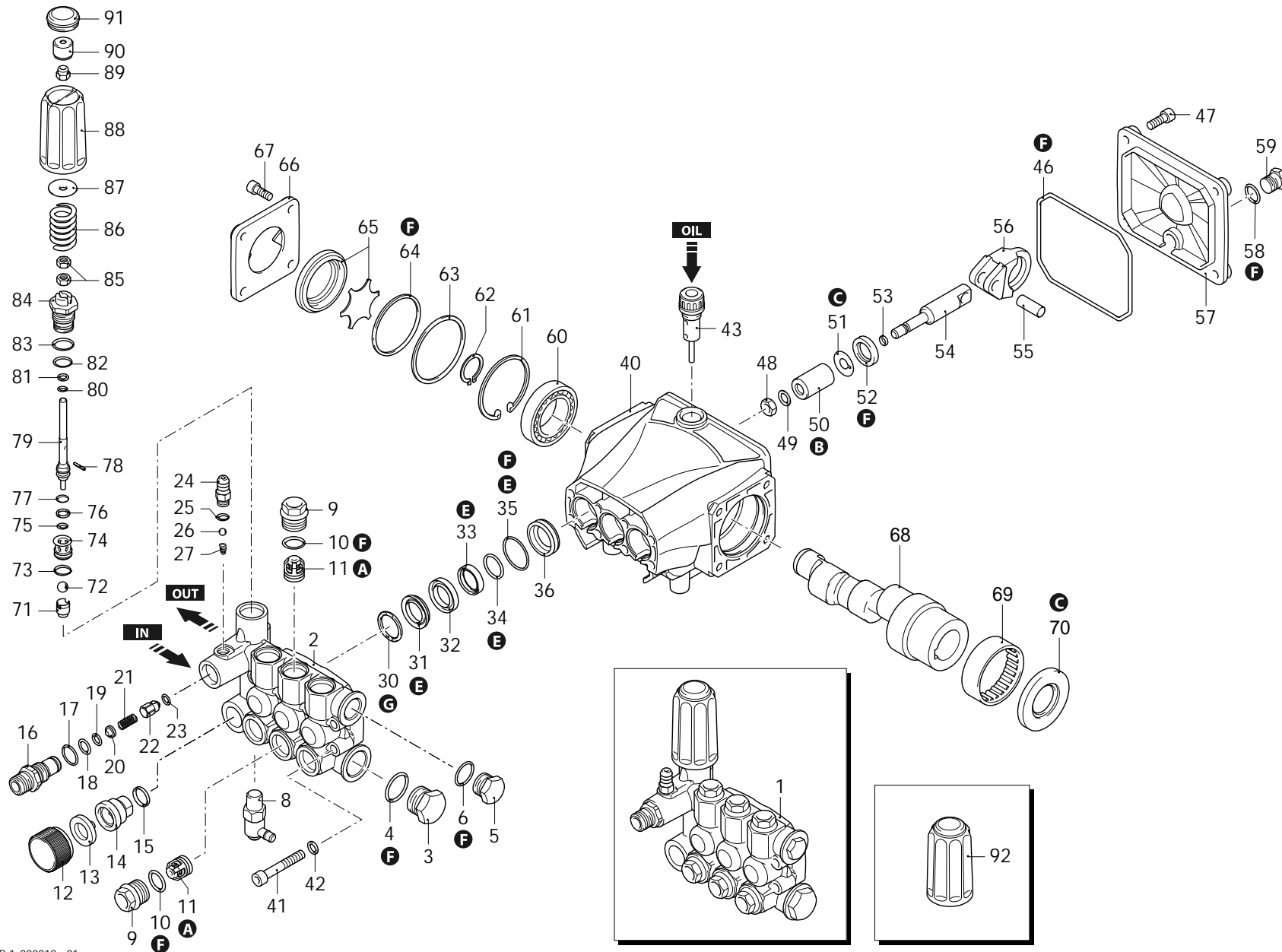
Series 320

RCV

D

3400rpm

ø 3/4"



- A**
- B**
- C**
- E**
- F**
- G**

AR-1\_000019\_v01

29/11/2021



Series 320

RCV

D

3400rpm

Ø 3/4"

P	Code	Description	Q	Note	Validity	P	Code	Description	Q	Note	Validity
1	3209204	Head assembly	1	Ø 15		47	3200220	Screw	4	C=8Nm	
2	3200930	Head	1			48	1260110	Nut	3	Screw with Loxeal 55-14 / C=12Nm	
3	820361	Plug	1	1/2" G brass	C=40Nm	49	1260100	Washer	3		
4	180101	O-ring	1	Ø 17,5x2	Lubricate with grease Molykote PG54	50	1260120	Piston	3	Ø 15	
5	1980740	Plug	1	3/8" G brass	C=20Nm	51	1260091	Plate	3		
6	740290	O-ring	1	Ø 14x1,78	Lubricate with grease Molykote PG54	52	1260460	Oil seal	3		
8	2761580	Valve	1	thermal		53	480480	O-ring	3	Ø 4,48x1,78	
9	3200110	Plug	6		Screw with Loxeal 55-14 / C=24,5Nm	54	3200060	Piston	3	guide	
10	1200690	O-ring	6	Ø 15,6x1,78	Lubricate with grease Molykote PG54	55	1780050	Pin	3		
11	2769050	Complete valve	6			56	3200040	Connecting-rod	3	Lubricate with grease Molykote G807	
12	2840270	Fitting	1			57	3200030	Cover	1		
13	1266330	Filter	1			58	820510	O-ring	1	Ø 10,82x1,78	
14	2841230	Fitting	1	aluminium	Screw with Loxeal 55-14 / C=25Nm	59	880581	Plug	1	1/4" G brass	Screw with Loxeal 55-14 / C=15Nm
15	2840890	O-ring	1	Ø 14x2		60	1780490	Bearing	1		
16	2760230	Fitting	1	3/8" G (M)	Screw with Loxeal 55-14 / C=40Nm	61	1260790	Ring	1	seeger Øl 52	
17	394280	O-ring	1	Ø 12,42x1,78	Lubricate with grease Molykote PG54	62	1780550	Ring	1	seeger Øe 20	
18	2760270	O-ring	1	Ø 12x1	Lubricate with grease Molykote PG54	63	3201860	Ring	1	Ø 51,8x0,5	
19	1470210	O-ring	1	Ø 9x1		64	395081	O-ring	1	Ø 47,30x2,62	
20	2760120	Injector	1	Ø 2,0		65	3209615	Oil level assembly	1		
21	2760200	Spring	1			66	3200070	Support	1		
22	2760131	Shutter	1			67	1200430	Screw	4	TCEI M6x16	Screw with Loxeal 55-14 / C=10Nm
23	2101770	O-ring	1	Ø 4x2,5	90 Sh	68	3200350	Shaft	1	8 marked	
24	1982520	Hose tail	1	Ø 8	Screw with Loxeal 55-14 / C=4Nm	69	1321190	Bearing	1		Assemble with tool [1780610]
25	480480	O-ring	1	Ø 4,48x1,78		70	480671	Ring	1	seal	Assemble with tool [1781000]
26	1250280	Ball	1			71	3200560	Guide	1		
27	1560520	Spring	1			72	3200590	Ball	1		
30	2760220	Ring	3	support Ø 15		73	770140	O-ring	1	Ø 11,11x1,78	Lubricate with grease Molykote PG54
31	1342761	Water seal	3	Ø 15	Lubricate with grease Molykote PG54	74	3200550	Seat	1		
32	3200160	Piston guide	3	front Ø 15		75	660191	O-ring	1	Ø 6,07x1,78	Lubricate with grease Molykote PG54
33	3200690	Gasket	3	Ø 15	Lubricate with grease Molykote PG54	76	1080401	Ring	1	anti-extrusion	
34	3200700	Ring	3	anti-extrusion		77	480560	O-ring	1	Ø 6,75x1,78	Lubricate with grease Molykote PG54
35	770590	O-ring	3	Ø 21,95x1,78	Lubricate with grease Molykote PG54	78	3201820	Pin	1		
36	3200150	Piston guide	3	rear Ø 15		79	3200510	Piston	1		
40	3200010	Pump body	1			80	770090	O-ring	1	Ø 5,28x1,78	
41	800410	Screw	8	TCEI M6x40	C=10,4Nm	81	3200540	Ring	1	anti-extrusion	
42	1381550	Washer	8			82	394280	O-ring	1	Ø 12,42x1,78	Lubricate with grease Molykote PG54
43	3201890	Plug	1			83	1200690	O-ring	1	Ø 15,6x1,78	Lubricate with grease Molykote PG54
46	2760280	O-ring	1	Ø 101,27x2,62		84	3200530	Piston guide	1	Screw with Loxeal 55-14 / C=35Nm	

Revision: 1

Oil type: SAE 15W40

Attachment:

Date: 29/11/2021

Oil quantity: 0,260 Kg

*C=Tightening torque (Tolerance +0 ÷ -10%)*

23471 - RCV 3G25 D + F7



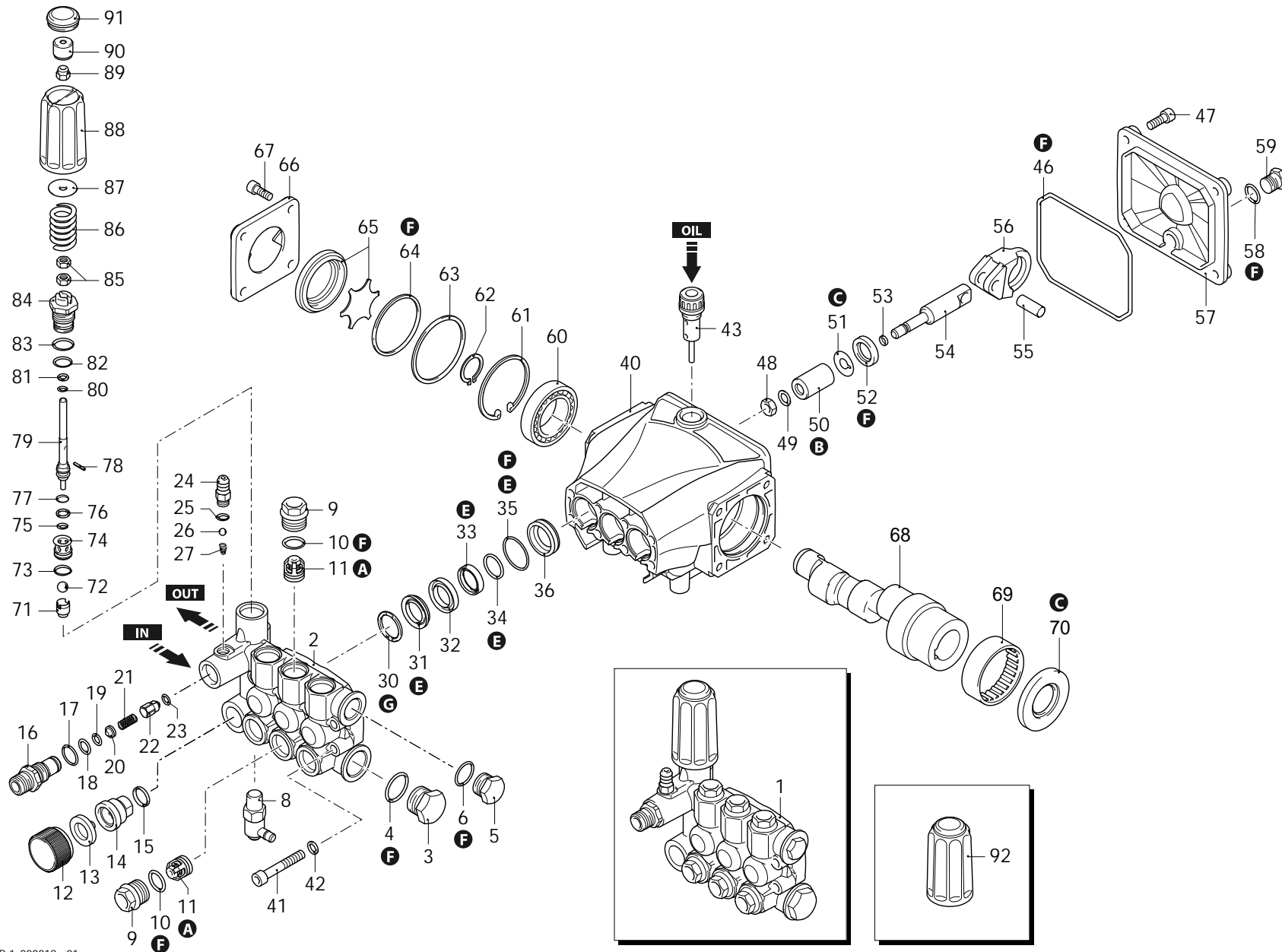
Series 320

RCV

D

3400rpm

ø 3/4"



- A**
- B**
- C**
- E**
- F**
- G**

AR-1\_000019\_v01

29/11/2021



Series 320

RCV

D

3400rpm

Ø 3/4"

P	Code	Description		Q	Note	Validity	P	Code	Description		Q	Note	Validity
85	1980300	Nut	M6	2									
86	3201340	Spring		1									
87	3200600	Washer		1									
88	3200480	Knob		1									
89	3000170	Nut	M6	1									
90	3200520	Bushing		1									
91	3200500	Plug		1									
92	42712	Valve kit adjustment		1									
A	2186	Valve kit		1									
B	42475	Piston kit	Ø 15	1									
C	42474	Oil seal kit		1									
E	42476	Water seal kit	Ø 15	1									
F	42470	Gasket kit		1									
G	2191	Support ring kit	Ø 15	1									

Revision: 1

Oil type: SAE 15W40

Attachment:

Date: 29/11/2021

Oil quantity: 0,260 Kg

*C=Tightening torque (Tolerance +0 ÷ -10%)*

23471 - RCV 3G25 D + F7



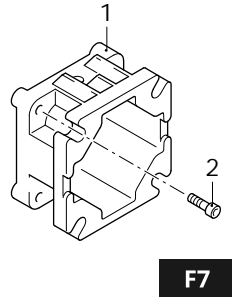
Series 320  
RCV

D

3400rpm

Ø 3/4"

P	Code	Description		Q	Note	Validity
1	1320050	Flange	F7	1		
2	1200430	Screw	TCEI M6x16	4	Screw with Loxeal 55-14 / C=10Nm	



AR-1\_000079\_v01

Revision: 1

Oil type: SAE 15W40

Attachment:

Date: 29/11/2021

Oil quantity: 0,260 Kg

*C=Tightening torque (Tolerance +0 ÷ -10%)*

23471 - RCV 3G25 D + F7