



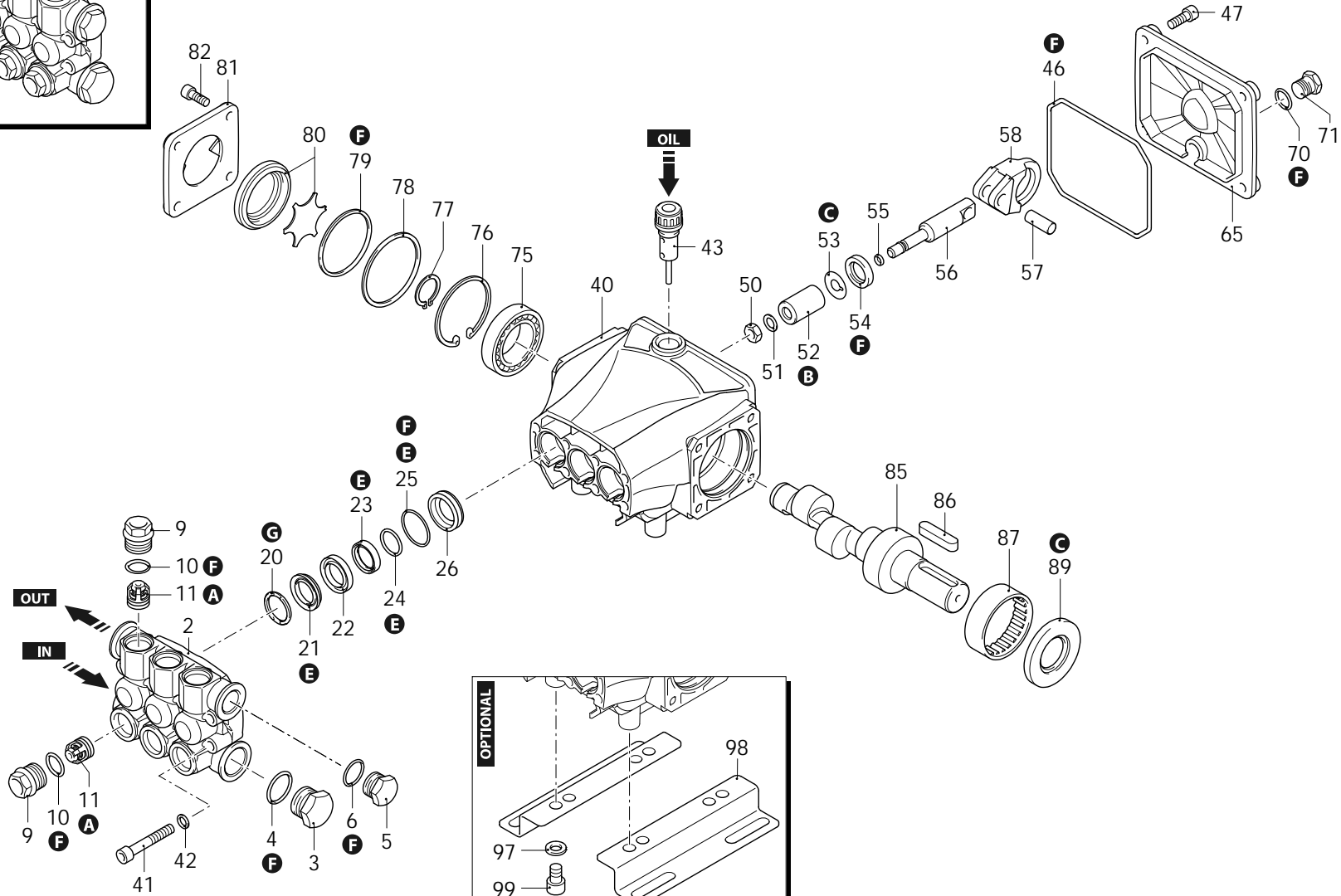
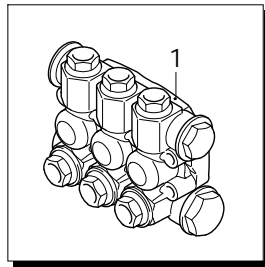
Series 320

RCA

N

1750rpm

ø 24mm



- A
- B
- C
- E
- F
- G

AR-1\_000025\_v01

29/11/2021



Series 320

RCA

N

1750rpm

Ø 24mm

P	Code	Description	Q	Note	Validity	P	Code	Description	Q	Note	Validity
1	3209200	Head assembly	1			79	395081	O-ring	1		
2	3200020	Head	1			80	3209615	Oil level assembly	1		
3	820361	Plug	1	C=40Nm		81	3200070	Support	1		
4	180101	O-ring	1	Lubricate with grease Molykote PG54		82	1200430	Screw	4	Screw with Loxeal 55-14 / C=10Nm	
5	1980740	Plug	1	C=20Nm		85	3200310	Shaft	1		
6	740290	O-ring	1	Lubricate with grease Molykote PG54		86	3200230	Key	1		
9	3200110	Plug	6	Screw with Loxeal 55-14 / C=24,5Nm		87	1321190	Bearing	1	Assemble with tool [1780610]	
10	1200690	O-ring	6	Lubricate with grease Molykote PG54		89	1260750	Ring	1	Assemble with tool [1941990]	
11	2769050	Complete valve	6			97	1322640	Washer	4		
20	1780140	Ring	3			98	3200210	Foot	2		
21	1780720	Water seal	3	Lubricate with grease Molykote PG54		99	850250	Screw	4	C=24,5Nm	
22	3200130	Piston guide	3			A	2186	Valve kit	1		
23	3200142	Gasket	3	Lubricate with grease Molykote PG54		B	42467	Piston kit	1		
24	3200260	Ring	3			C	42468	Oil seal kit	1		
25	770590	O-ring	3	Lubricate with grease Molykote PG54		E	42469	Water seal kit	1		
26	3200120	Piston guide	3			F	42470	Gasket kit	1		
40	3200010	Pump body	1			G	2745	Support ring kit	1		
41	800410	Screw	8	C=10,4Nm							
42	1381550	Washer	8								
43	3201890	Plug	1								
46	2760280	O-ring	1								
47	3200220	Screw	4	C=8Nm							
50	1260110	Nut	3	Screw with Loxeal 55-14 / C=12Nm							
51	1260100	Washer	3								
52	1260210	Piston	3								
53	1260091	Plate	3								
54	1260460	Oil seal	3								
55	480480	O-ring	3								
56	3200060	Piston	3								
57	1780050	Pin	3								
58	3200040	Connecting-rod	3	Lubricate with grease Molykote G807							
65	3200030	Cover	1								
70	820510	O-ring	1								
71	880581	Plug	1	Screw with Loxeal 55-14 / C=15Nm							
75	1780490	Bearing	1								
76	1260790	Ring	1								
77	1780550	Ring	1								
78	3201860	Ring	1								

Revision: 1

Oil type: SAE 15W40

Attachment:

Date: 29/11/2021

Oil quantity: 0,260 Kg

*C=Tightening torque (Tolerance +0 ÷ -10%)*

23438 - RCA 3G25 N