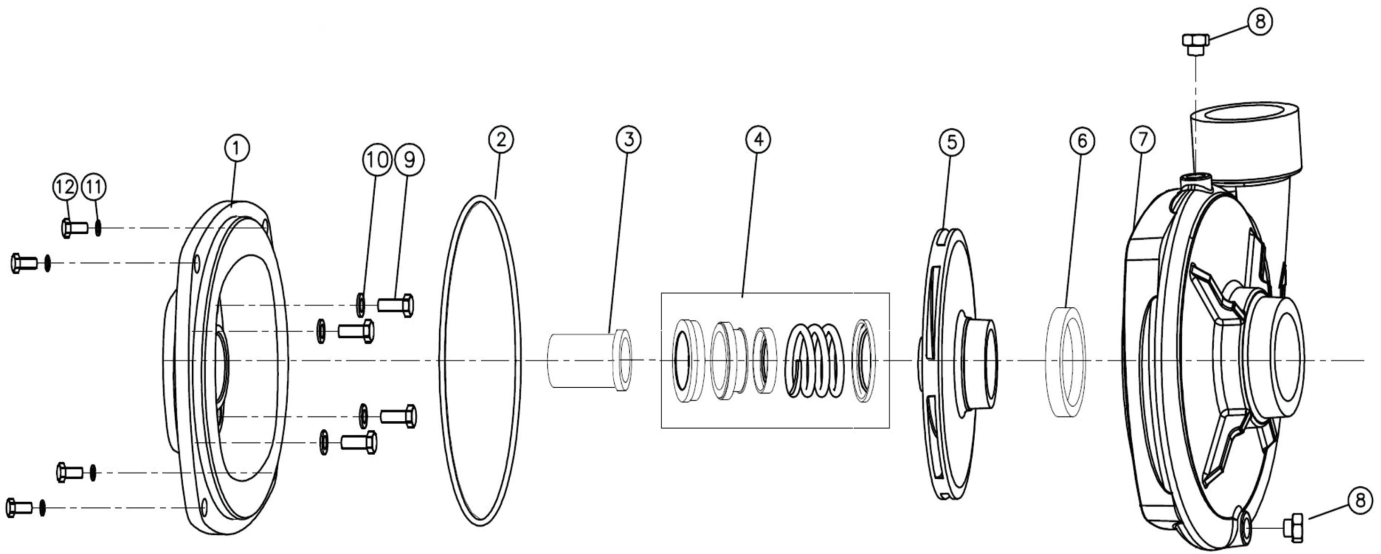




Model: CI15 - 1½" High Head Transfer Pump (Diesel Transfer)



Position	Qty	Description
1	1	Pump Cover (Back Plate)
2	1	Pump Casing O-Ring
3	1	Sleeve
4	1	Mechanical Seal
5	1	Impeller
6	1	Wearing Lipseal
7	1	Pump Body (Front Bowl)
8	4	Plug
9	4	Hex Bolt
10	4	Washer
11	4	Washer
12	4	Hex Bolt

Package Information

Model	Weight (KG)	L (mm)	W (mm)	H (mm)
CI15 Kit	9.5	250	250	135

