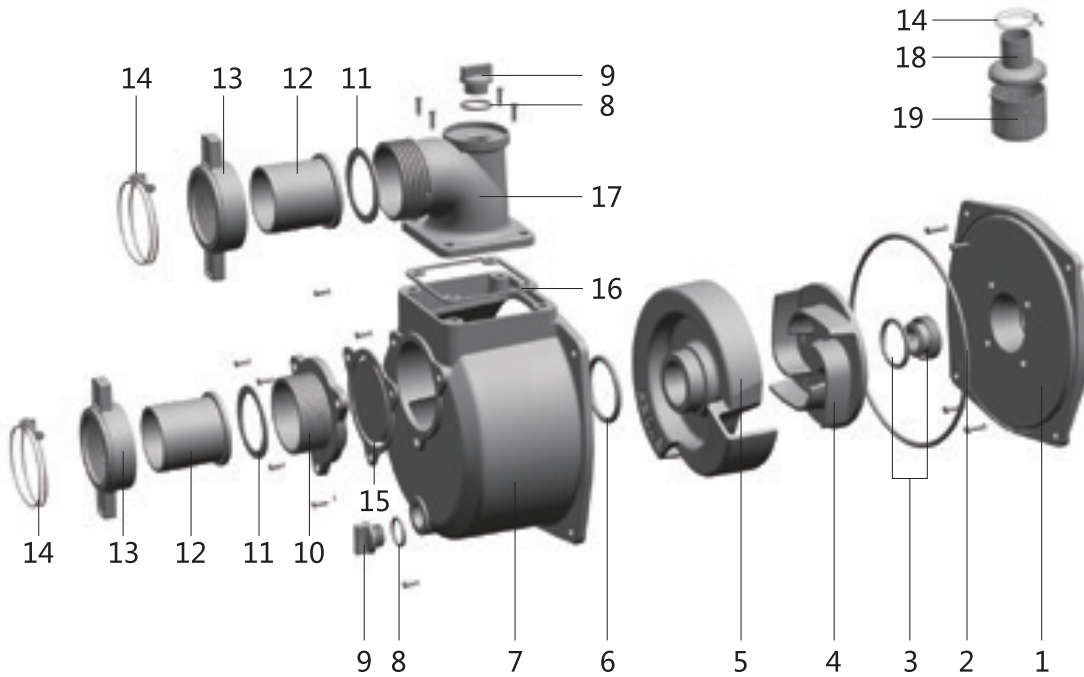




Model: WP30 - 3" Water Transfer Pump



Postion	Qty	Description
1	1	Pump Cover (Back Plate)
2	1	Pump Casing O-Ring
3	1	Mechanical Seal
4	1	Impeller
5	1	Volute
6	1	Volute O-Ring
7	1	Pump Body (Front Bowl)
8	2	Plug O-Ring
9	2	Plug
10	1	Inlet Flange
11	2	2" Inlet Washer
12	2	2" Hose Tail
13	2	Hose Tail Locking Ring
14	3	Hose Clamp
15	1	Check Valve
16	1	Outlet Gasket
17	1	Outlet Flange
18	1	Filter Cover
19	1	Filter Baskets

Package Information

Model	Weight (KG)	L (mm)	W (mm)	H (mm)
WP30	8	400	250	250

