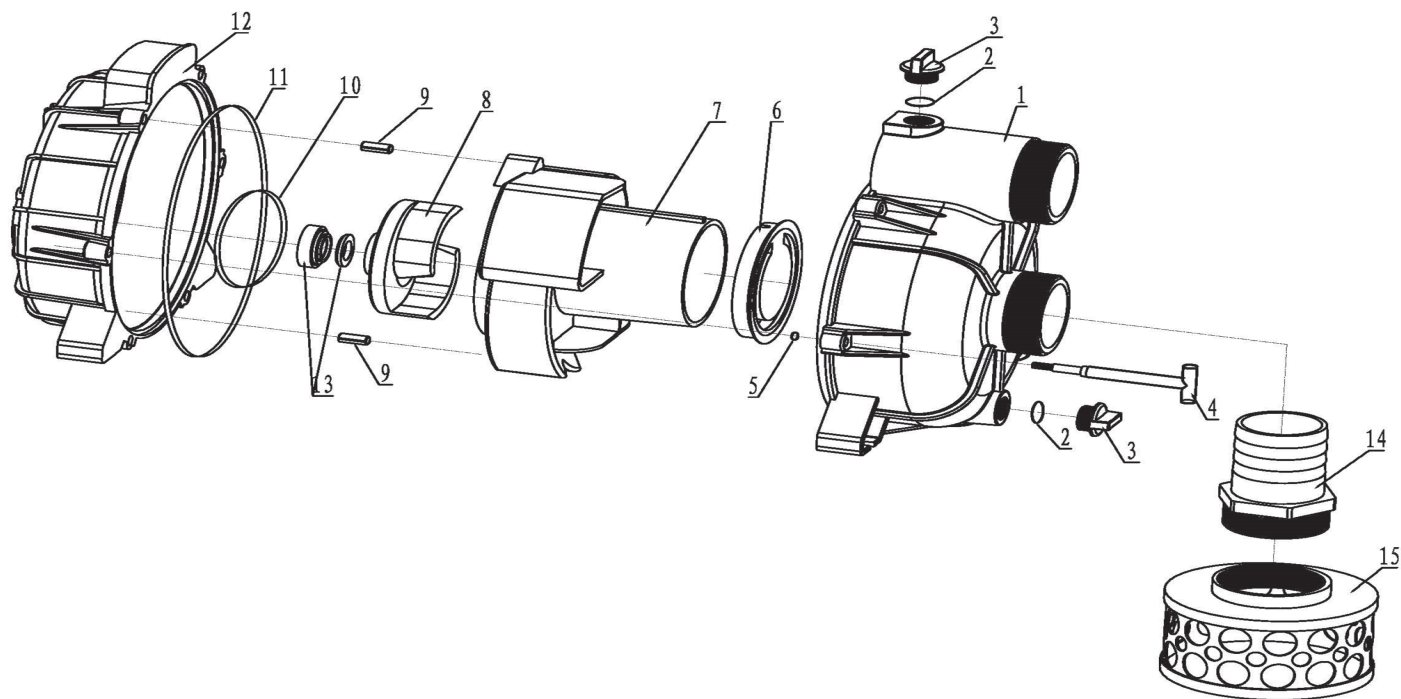




### Model: WB100T - 4" Trash Pump

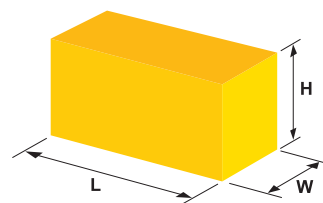


| Postion | Qty | Description            |
|---------|-----|------------------------|
| 1       | 1   | Pump cover             |
| 2       | 2   | O'ring 18 x 2.65       |
| 3       | 2   | Whorl Plug             |
| 4       | 6   | T Type Screw           |
| 5       | 6   | O'ring 5 x 2.65        |
| 6       | 1   | Check Valve            |
| 7       | 1   | Diffuser               |
| 8       | 1   | Impeller               |
| 9       | 2   | Springiness Column Pin |
| 10      | 1   | Diffuser               |
| 11      | 1   | O'ring 260 x 5         |
| 12      | 1   | Pump Cover             |
| 13      | 1   | Mechanical Seal SISI   |
| 14      | 1   | Hexangular Hose Joint  |
| 15      | 1   | Strainer               |

\*All prices exclude GST

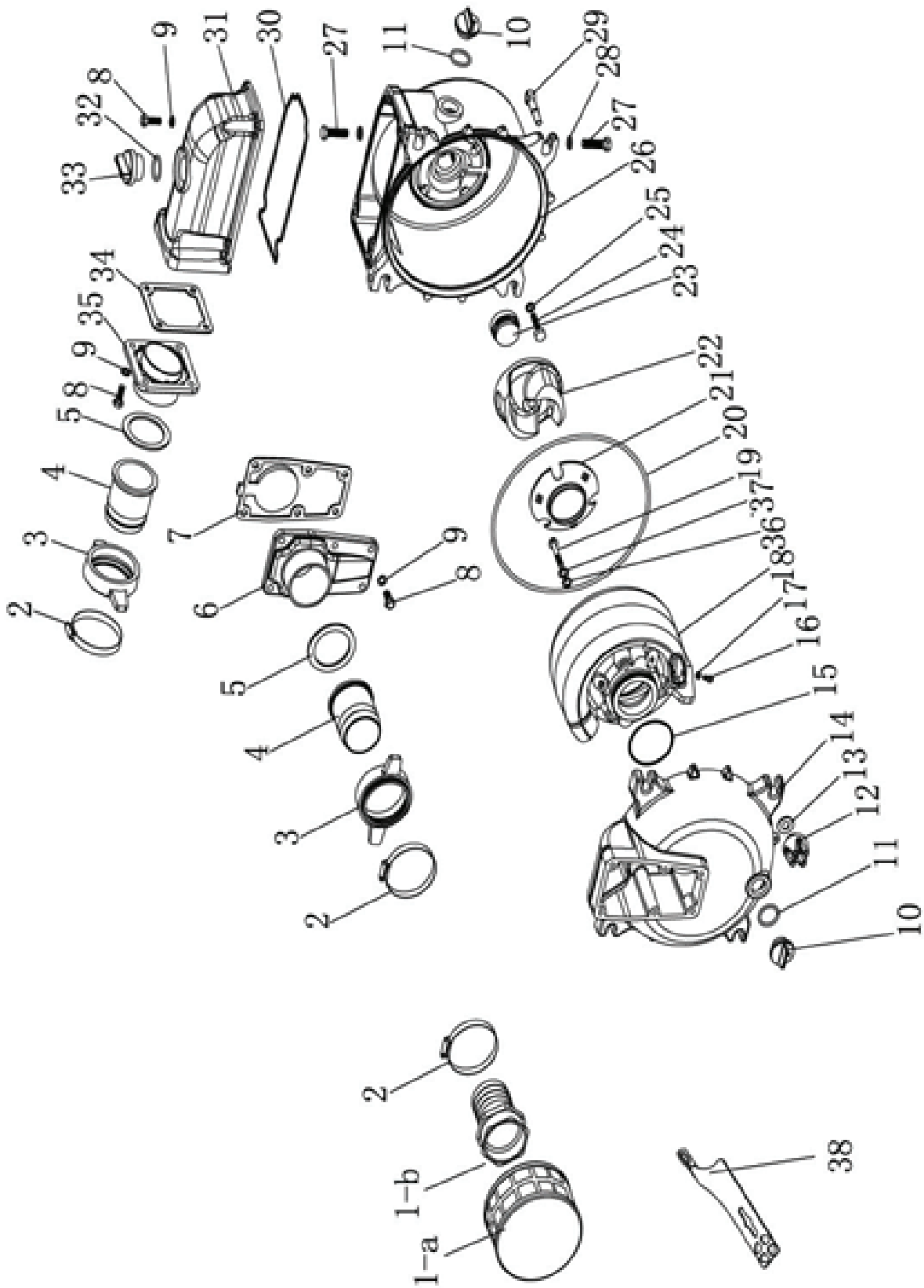
### Package Information

| Model      | Weight (KG) | L (mm) | W (mm) | H (mm) |
|------------|-------------|--------|--------|--------|
| WB100T Kit | 23          | 510    | 440    | 340    |





### Model: RX80T - 3" Trash Pump



Parts listing on next 2 pages.