



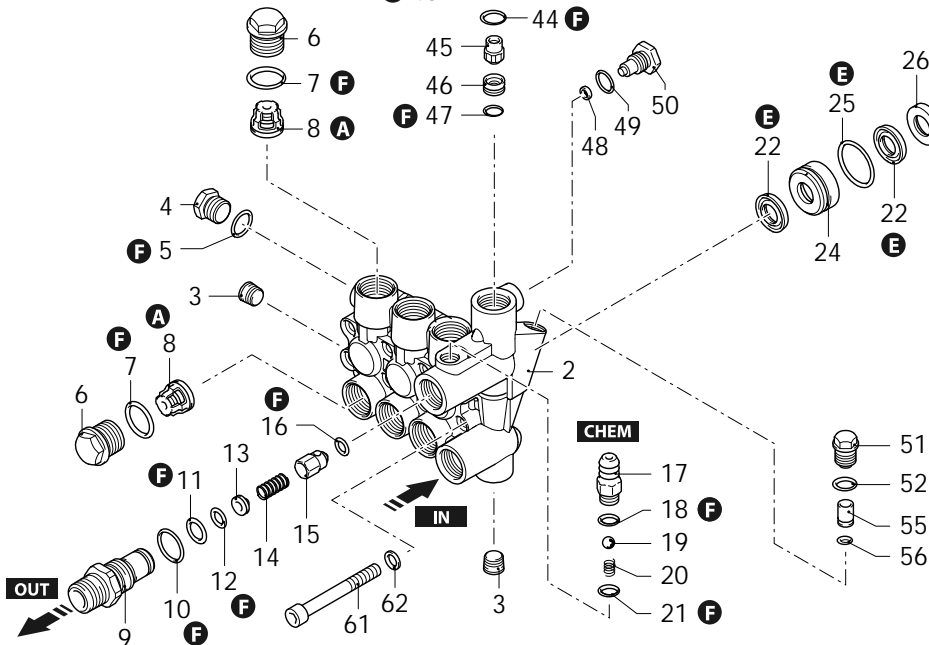
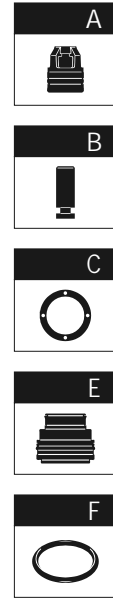
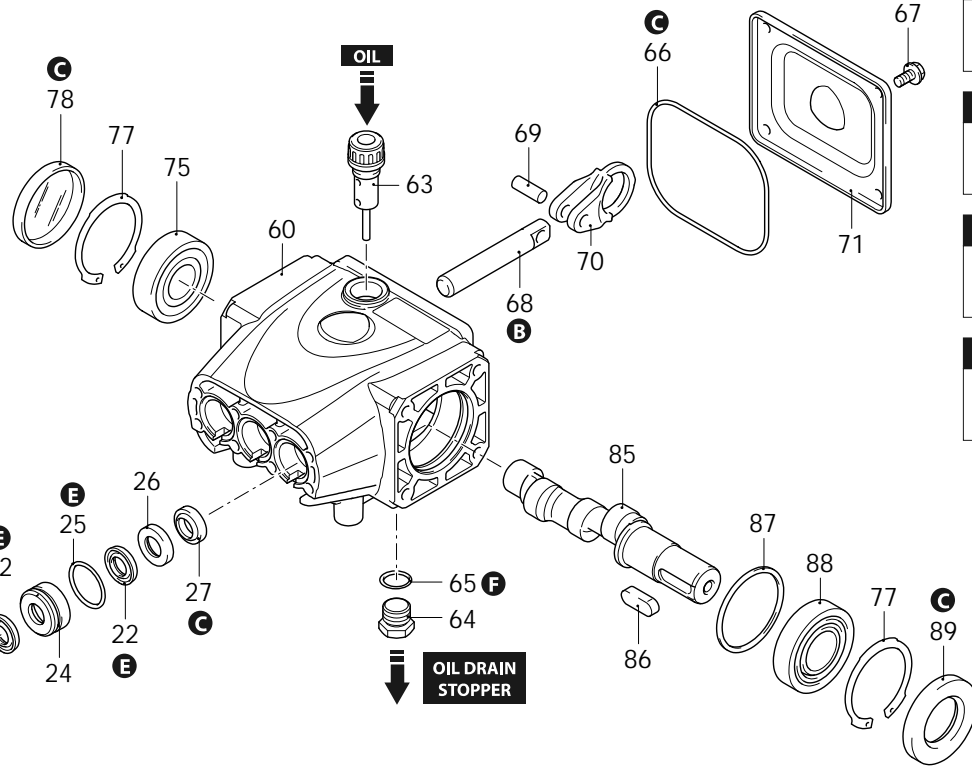
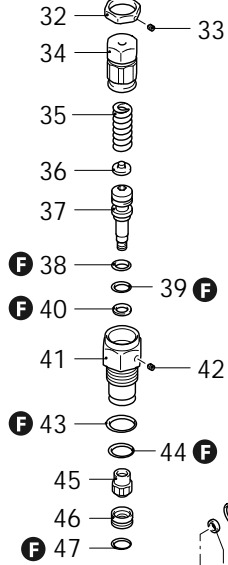
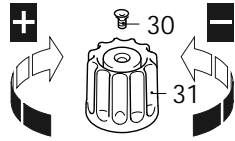
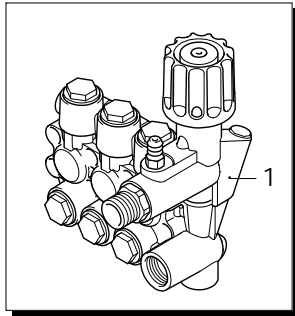
Series 414

JRS

N

2800rpm

ø 24mm



AR-1\_000013\_v01

29/11/2021



Series 414

JRS

N

2800rpm

ø 24mm

| P  | Code    | Description    | Q              | Note | Validity                                     | P  | Code    | Description    | Q | Note         | Validity                                     |
|----|---------|----------------|----------------|------|--|----|---------|----------------|---|--------------|--|
| 1  | 4149201 | Head assembly  | Ø 12           | 1    |  | 42 | 3800310 | Screw          | 1 | STEI M4X4    | Screw with Loxeal 55-14                      |
| 2  | 4140650 | Head           |                | 1    |  | 43 | 740290  | O-ring         | 1 | Ø 14x1,78    | Lubricate with grease Molykote PG54          |
| 3  | 2760260 | Plug           | 1/4" G         | 1    | Screw with Loxeal 55-14                      | 44 | 820510  | O-ring         | 1 | Ø 10,82x1,78 |  |
| 4  | 2841800 | Plug           |                | 1    | Screw with Loxeal 55-14 / C=8Nm              | 45 | 3800230 | Piston         | 1 | inferiore    | Screw with Loxeal 55-14 / C=3Nm              |
| 5  | 3700250 | O-ring         | Ø 8x1,1        | 1    | Lubricate with grease Molykote PG54 / 80 Sha | 46 | 2841080 | Seat           | 1 |              |  |
| 6  | 2840130 | Plug           |                | 6    | Screw with Loxeal 55-14 / C=25Nm             | 47 | 1470210 | O-ring         | 1 | Ø 9x1        |  |
| 7  | 2841520 | O-ring         | Ø 13,5x1,8     | 6    |  | 48 | 1120681 | O-ring         | 1 | Ø 3,39x1,78  | Lubricate with grease Molykote G807          |
| 8  | 2849051 | Complete valve | plastic        | 6    |  | 49 | 600180  | O-ring         | 1 | Ø 7,66x1,78  |  |
| 9  | 2760230 | Fitting        | 3/8" G (M)     | 1    | Screw with Loxeal 55-14 / C=40Nm             | 50 | 1344950 | Plug           | 1 |              | C=8Nm  |
| 10 | 394280  | O-ring         | Ø 12,42x1,78   | 1    | Lubricate with grease Molykote PG54          | 51 | 3720730 | Plug           | 1 |              |  |
| 11 | 2760270 | O-ring         | Ø 12x1         | 1    | Lubricate with grease Molykote PG54          | 52 | 1682800 | O-ring         | 1 | Ø 6x1,5      |  |
| 12 | 1470210 | O-ring         | Ø 9x1          | 1    |  | 55 | 3721210 | Seat           | 1 |              |  |
| 13 | 2760120 | Injector       | Ø 2,0          | 1    |  | 56 | 3720750 | O-ring         | 1 | Ø 4x1        |  |
| 14 | 2760200 | Spring         |                | 1    |  | 60 | 4140010 | Pump body      | 1 |              |  |
| 15 | 2761511 | Shutter        |                | 1    |  | 61 | 1345180 | Screw          | 8 | TCEI M5x40   | C=6,2Nm                                      |
| 16 | 2101770 | O-ring         | Ø 4x2,5        | 1    | 90 Sh  | 62 | 4140140 | Washer         | 8 |              |  |
| 17 | 3700240 | Hose tail      | Ø 8            | 1    | C=4Nm  | 63 | 4140210 | Plug           | 1 |              |  |
| 18 | 480480  | O-ring         | Ø 4,48x1,78    | 1    |  | 64 | 2841800 | Plug           | 1 |              | Screw with Loxeal 55-14 / C=8Nm              |
| 19 | 1250280 | Ball           |                | 1    |  | 65 | 3700250 | O-ring         | 1 | Ø 8x1,1      | Lubricate with grease Molykote PG54 / 80 Sha |
| 20 | 1560520 | Spring         |                | 1    |  | 66 | 4140090 | O-ring         | 1 |              |  |
| 21 | 3700250 | O-ring         | Ø 8x1,1        | 1    | Lubricate with grease Molykote PG54 / 80 Sha | 67 | 4140270 | Screw          | 4 | TE 5x8       |  |
| 22 | 2200141 | Water seal     | Ø 12           | 6    |  | 68 | 4140060 | Piston         | 3 | Ø 12         |  |
| 24 | 2840550 | Bushing        | Ø 12           | 3    |  | 69 | 4140070 | Pin            | 3 |              |  |
| 25 | 770590  | O-ring         | Ø 21,95x1,78   | 3    | Lubricate with grease Molykote PG54          | 70 | 4140080 | Connecting-rod | 3 | aluminium    | Lubricate with grease Molykote BR2 PLUS      |
| 26 | 2841390 | Bushing        | rear Ø 12      | 3    |  | 71 | 4140030 | Cover          | 1 |              |  |
| 27 | 1683500 | Oil seal       |                | 3    |  | 75 | 4140110 | Bearing        | 1 |              |  |
| 30 | 3800250 | Screw          | TSEI M4x8      | 1    | Screw with Loxeal 55-14 / C=3Nm              | 77 | 4140360 | Ring           | 2 | seeger Øi 47 |  |
| 31 | 3800180 | Knob           |                | 1    |  | 78 | 4140150 | Cover          | 1 |              |  |
| 32 | 3800200 | Nut            | M16x1          | 1    |  | 85 | 4140310 | Shaft          | 1 | 4 marked     |  |
| 33 | 3800240 | Screw          | STEI M3x4      | 1    |  | 86 | 1380520 | Key            | 1 |              |  |
| 34 | 3800190 | Screw          |                | 1    |  | 87 | 4140190 | Ring           | 1 |              |  |
| 35 | 2760410 | Spring         |                | 1    | Lubricate with grease Molykote BR2 PLUS      | 88 | 4140100 | Bearing        | 1 |              |  |
| 36 | 1980220 | Plate          |                | 1    |  | 89 | 4140200 | Oil seal       | 1 |              |  |
| 37 | 4140170 | Piston         |                | 1    | Lubricate with grease Molykote PG54          | A  | 43478   | Valve kit      | 1 |              |  |
| 38 | 2260100 | O-ring         | Ø 6,02x2,62    | 1    | Lubricate with grease Molykote PG54          | B  | 43479   | Piston kit     | 1 | Ø 12         |  |
| 39 | 660190  | O-ring         | Ø 6,07x1,78    | 1    | Lubricate with grease Molykote PG54          | C  | 43480   | Oil seal kit   | 1 |              |  |
| 40 | 2760210 | Ring           | anti-extrusion | 1    |  | E  | 43481   | Water seal kit | 1 | Ø 12         |  |
| 41 | 3800210 | Piston guide   |                | 1    | Screw with Loxeal 55-14 / C=15Nm             | F  | 43482   | Gasket kit     | 1 |              |  |

Revision: 1

Oil type: SAE 15W40

Attachment:

Date: 29/11/2021

Oil quantity: 0,154 Kg

*C=Tightening torque (Tolerance +0 ÷ -10%)*