



# Stainless Steel Pumps

# Model RIGHT Submersible Semi Vortex Pumps



Submersible pump with semi vortex impeller able to handle soft and fibrous solids with 35 mm sphere clearance. All stainless steel construction, with double mechanical seal in oil bath.

### Specifications

- Submersible pump with semi vortex impeller
- Maximum solids handling: 35 mm
- Maximum liquid temperature: 50 °C
- Maximum submergence: 10 m

### Materials

- Pump casing: 304 Stainless Steel
- Impeller: 304 Stainless Steel
- Suction cover: 304 Stainless Steel
- Shaft: 303 Stainless Steel
- Motor frame: 304 Stainless Steel
- Mechanical seal: Double mechanical seal in oil lubricated chamber, Silicon Carbide lower faces, Carbon/Ceramic upper faces.

### Motor Data

- Air filled, dry submersible, 2 pole, 50 Hz
- Insulation class F
- IP68 protection
- 3 Phase - 400 Volt, 1 Phase - 230 Volt
- In built overload protection for 1 Phase

### Range

- 40 mm Ø discharge
- 0.55 & 0.75 kW motors
- Single phase, automatic or manual versions
- Three phase, manual version only

### Supply

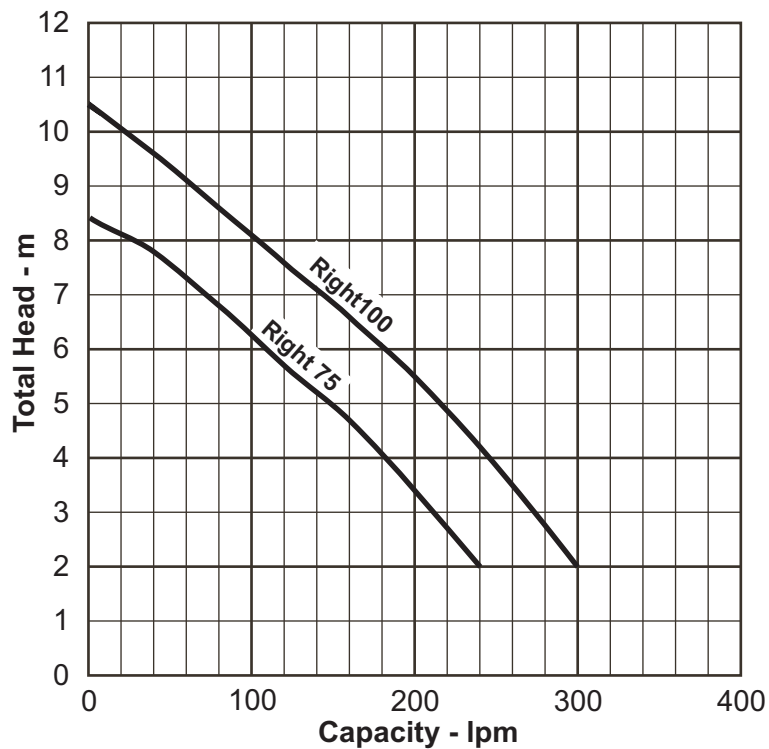
- 10 m of cable (without plug)

### Performance Curve

Synchronous Speed:  
**3000 rpm**

Water temp:  
**20 °C**

Applicable standard of test :  
**ISO 9906 Annex A**



### Model Code

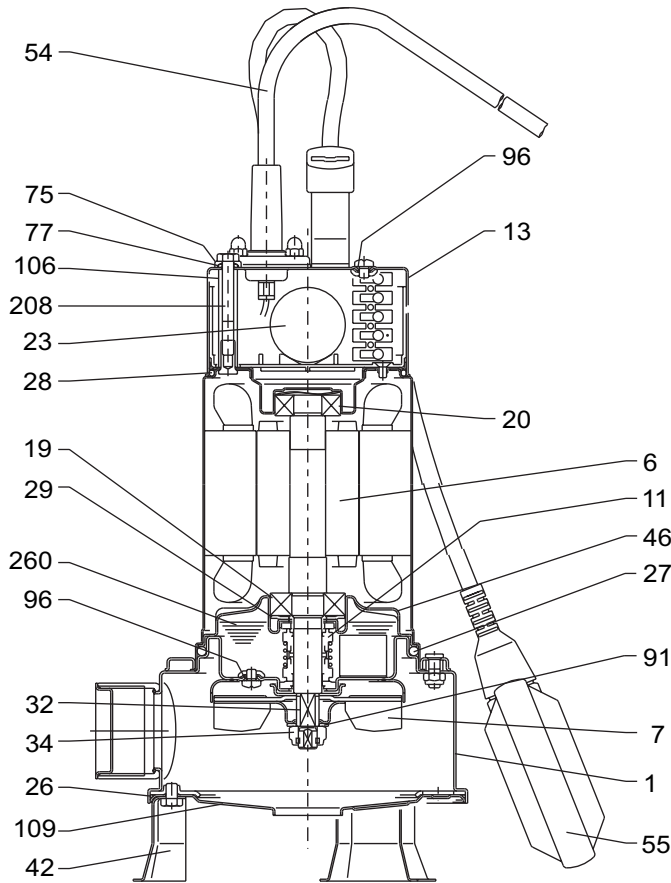
Right 75 M — 1 Phase, Manual  
 Right 75 M A — 1 Phase, Automatic (M ~ Monophase)  
 Right 75 — 3 Phase, Manual (A ~ Automatic)  
 (blank) — 3 Phase, Manual  
 "Size" 75 = 0.55 kW  
 100 = 0.75 kW

### Performance Table

Pump Model	Motor Output	Discharge Ø mm	Full Load Current		Capacitor (1 Phase models only)	Capacity - lpm						
			1 Phase 230 V	3 Phase 400 V		40	80	120	160	200	240	300
Right 75	0.55 kW	40 mm	4.8 A	2.1 A	20 µF	7.8	6.8	5.7	4.7	3.4	2	
Right 100	0.75 kW	40 mm	5.7 A	2.6 A	31.5 µF	9.5	8.6	7.6	6.6	5.4	4.2	2

# Sectional Drawing

Model **RIGHT**



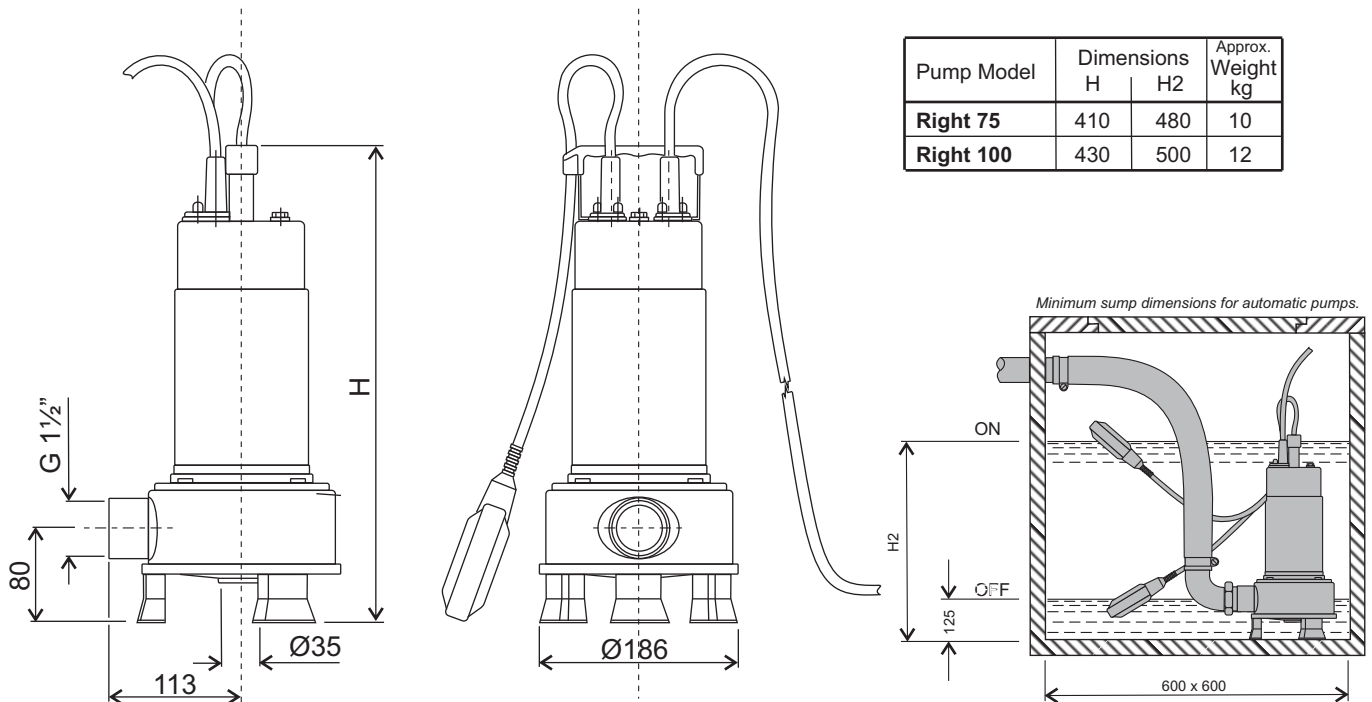
No.	Description	Material	Qty.
1	Casing	304 Stainless Steel	1
6	Shaft with rotor <sup>[#]</sup>	303 Stainless Steel	1
7	Impeller	304 Stainless Steel	1
11	Mechanical seal	SiC:SiC/Carb:Cer/NBR	1
13	Motor cover	304 Stainless Steel	1
19	Lower bearing	Sealed Ball Bearing	1
20	Upper bearing	Sealed Ball Bearing	1
23	Capacitor <sup>[1]</sup>	-	1
26	O-Ring	NBR Rubber	1
27	O-Ring	NBR Rubber	1
28	O-Ring	NBR Rubber	1
29	Washer	304 Stainless Steel	1
32	Impeller key	304 Stainless Steel	1
34	Impeller nut	303 Stainless Steel	1
42	Foot	304 Stainless Steel	3
46	Lower bearing bracket	304 Stainless Steel	1
54	Submersible power cable	H07RN-F	1
55	Float switch <sup>[2]</sup>	-	1
75	Washer	304 Stainless Steel	3
77	O-Ring	NBR Rubber	3
91	Washer	304 Stainless Steel	1
96	O-Ring	NBR Rubber	3
106	Spacer	304 Stainless Steel	3
109	Suction cover	304 Stainless Steel	1
208	Screw	304 Stainless Steel	3
260	Oil	Esso MARCOL 152	180 ml

# - refers to pump side of shaft material  
 1 - only for single phase versions  
 2 - only for automatic single phase versions

# Dimensions

Model **RIGHT**

Units: mm unless otherwise specified



Pump Model	Dimensions		Approx. Weight kg
	H	H2	
<b>Right 75</b>	410	480	10
<b>Right 100</b>	430	500	12

Specifications subject to change without notice



EBARA PUMPS AUSTRALIA PTY. LTD.

**Data Sheet**  
**Right 13-03**