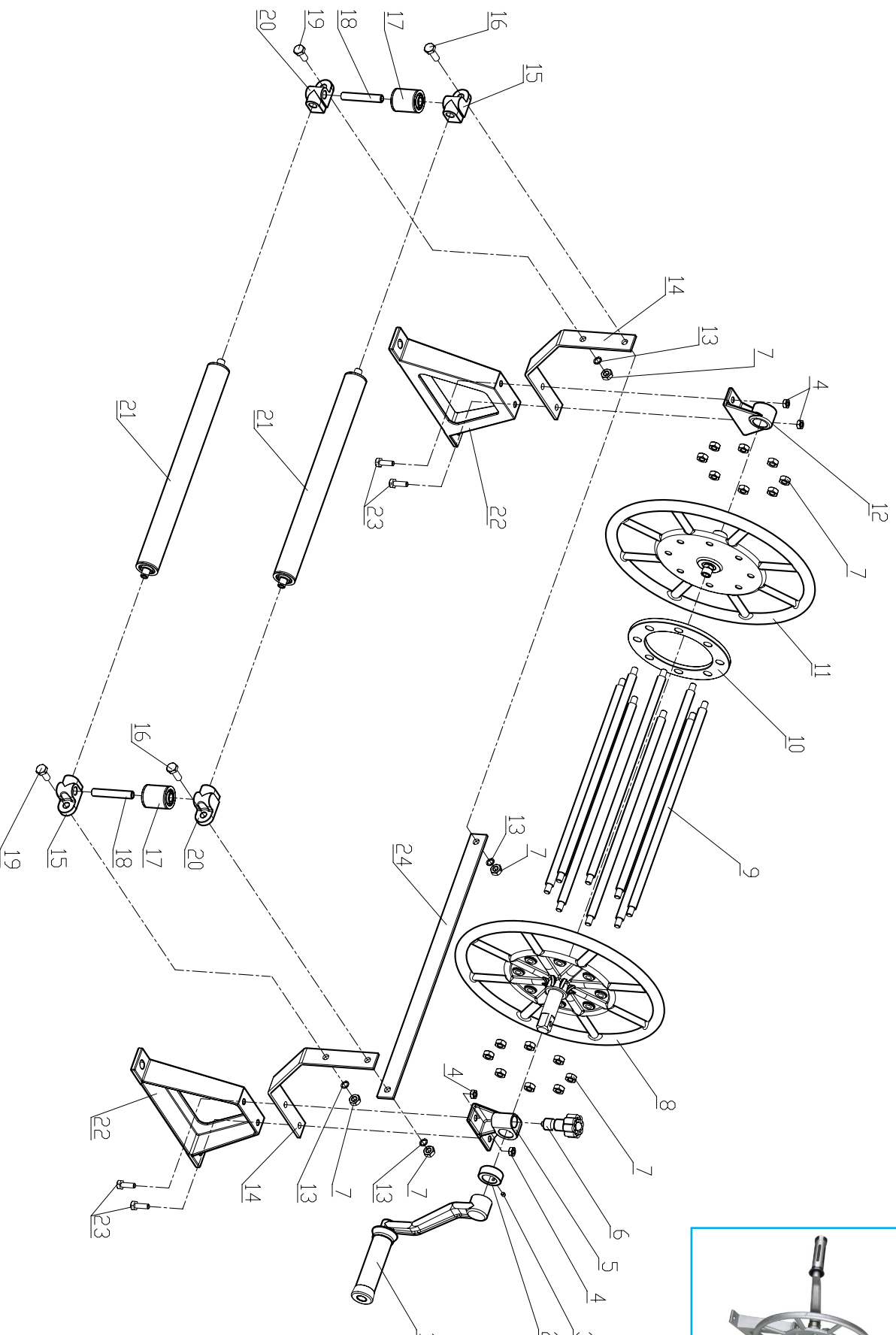




SERIES 1 HEAVY DUTY ALUMINIUM HOSE REEL (FIG 37 HD)

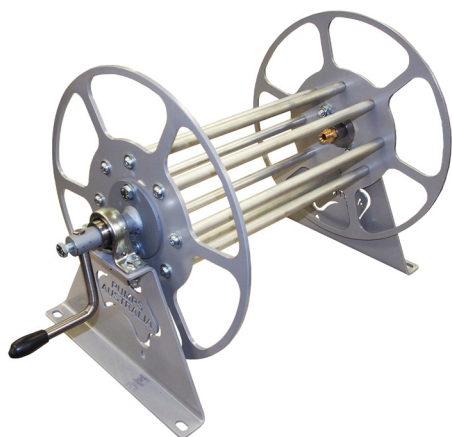




Position No.	Part Name	Price (Ex-GST)	Quantity
1	Handrail	\$90	1
2	Limit place block	\$9.50	1
3	Close bolt M6x8	\$6	1
4	Close of Hexangular nut M8	\$3	4
5	Left shaft base	\$94	1
6	Clamp	\$24	1
7	Nut M10	\$4	20
8	Left turnplate	\$150	1
9	Turnplate connection staff	\$25	8
10	Support board	\$77	1
11	Right turnplate	\$150	1
12	Right shaft seat	\$94	1
13	Spring washer	\$1.5	4
14	Bend and prolate iron	\$48	1
15	Below shaft base	\$28	2
16	Hexangular bolt M10x25	\$7	2
17	Short tumbling box	\$15	2
18	Short shaft	\$10	2
19	Hexangular bolt M10X25	\$7	2
20	Above shaft base	\$28	2
21	Long tumbling box	\$36	2
22	Base	\$76	2
23	Hexangular bolt M8X25	\$6	4
24	Straight and prolate iron	\$22	1

Prices exclude GST and for individual parts.

New & Improved HD Hose Reel »»



Series 2
Extra Heavy Duty Steel

Australian Made

Made using Australian sourced labour, our **NEW** Pumps Australia HD Reel has been improved using stronger materials

Larger Hose Size

The New & Improved model can be modified to suit a larger 3/4" Hose.

Stronger Bearings

Industrial Bearings means less effort is needed to roll up your reel. Means reel time is shorter and you save energy.

High Stock Levels

We have the new reel always in stock, that means no waiting for shipping.

Call for a quote to upgrade today! Phone 1800 790 915