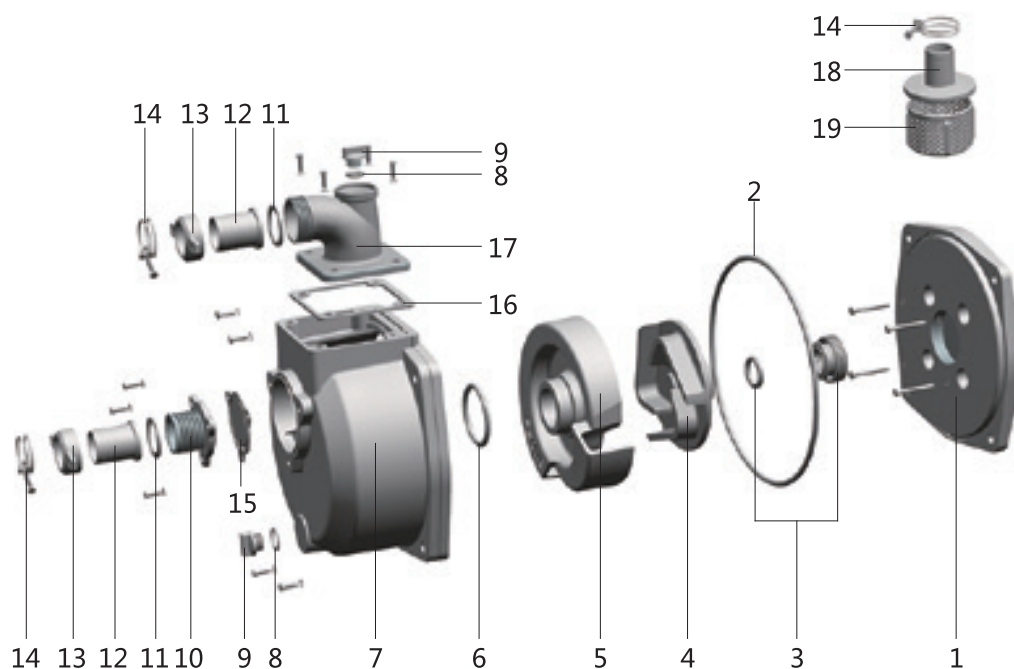




Model: WP15 - 1½" Water Transfer Pump

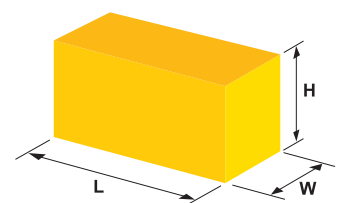


| Postion | Qty | Description |
|---------|-----|-------------------------|
| 1 | 1 | Pump Cover (Back Plate) |
| 2 | 1 | Pump Casing O-Ring |
| 3 | 1 | Mechanical Seal |
| 4 | 1 | Impeller |
| 5 | 1 | Volute |
| 6 | 1 | Volute O-Ring |
| 7 | 1 | Pump Body (Front Bowl) |
| 8 | 2 | Plug O-Ring |
| 9 | 2 | Plug |
| 10 | 1 | Inlet Flange |
| 11 | 2 | Inlet Gasket |
| 12 | 2 | Hose Tail |
| 13 | 2 | Hose Tail Locking Ring |
| 14 | 3 | Hose Clamp |
| 15 | 1 | Check Valve |
| 16 | 1 | Outlet Gasket |
| 17 | 1 | Outlet Flange |
| 18 | 1 | Filter Cover |
| 19 | 1 | Filter Baskets |

Complete Kit:

Package Information

| Model | Weight (KG) | L (mm) | W (mm) | H (mm) |
|-------|-------------|--------|--------|--------|
| WP15 | 4 | 320 | 245 | 200 |



*All prices exclude GST