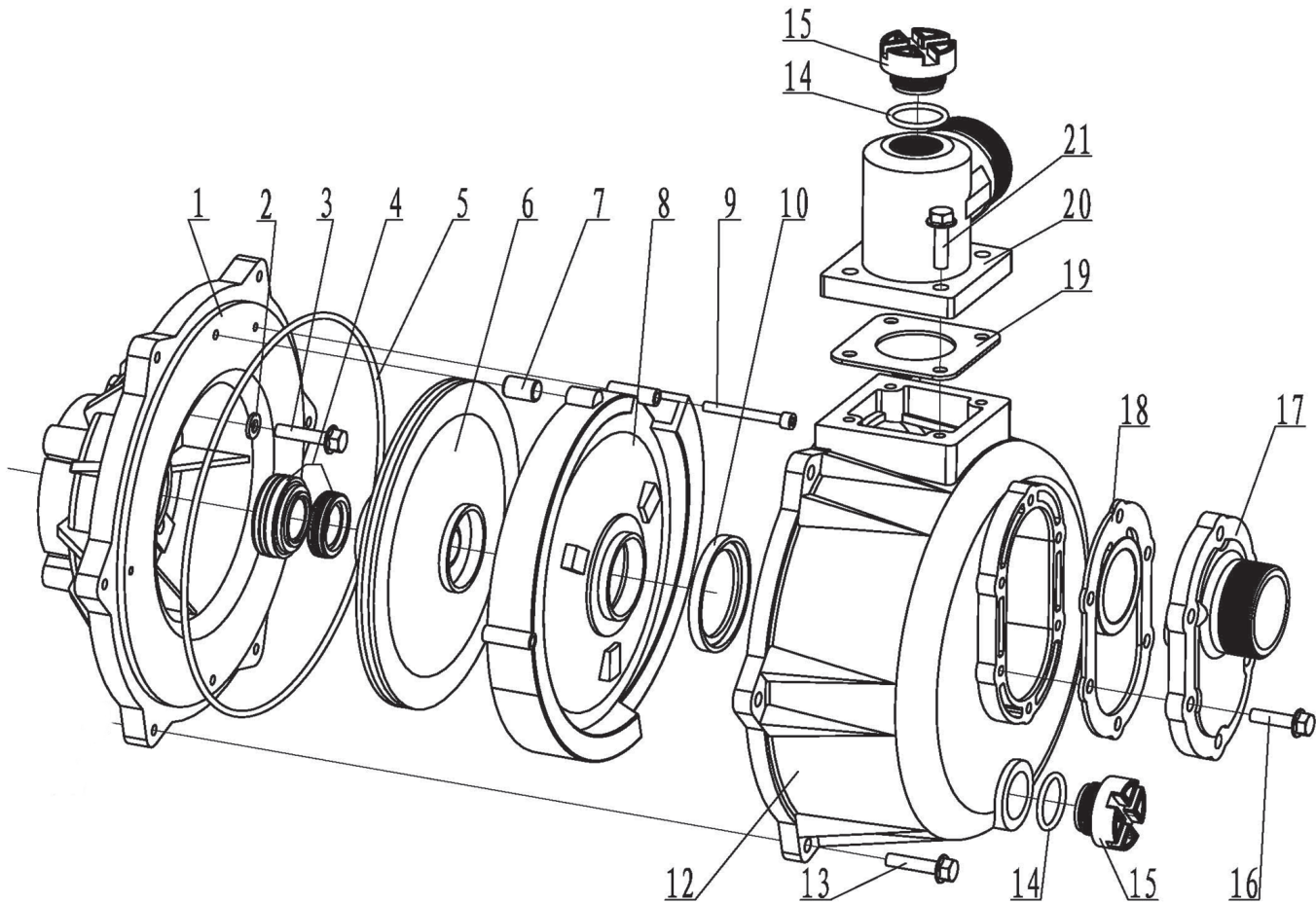




Model: SHP50 - 2" Super High Head Transfer Pump



Postion	Qty	Description
1	1	Pump cover Cast Iron
2	4	Sealed Washer
3	4	Hexangular Bolt M 8 x 50
4	1	Mechanical Seal
5	1	O-ring 250 x 2.65
6	1	Impeller
7	2	Springiness Column Pin
8	1	Diffuser
9	2	Hexangular Bolt M 6 x 40
10	1	Diffuser's Sealed Interleaver
12	1	Pump body Cast Iron
13	6	Hexangular Bolt M 8 x 30
14	2	O'ring 30 x 3.55
15	2	Plastic Plug
16	6	Hexangular Bolt M 8 x 20
17	1	Inlet Flange
18	1	Check Valve
19	1	Outlet's Sealed Interleaver
20	1	Outlet Flange
21	4	Hexangular Bolt M 8 x 25