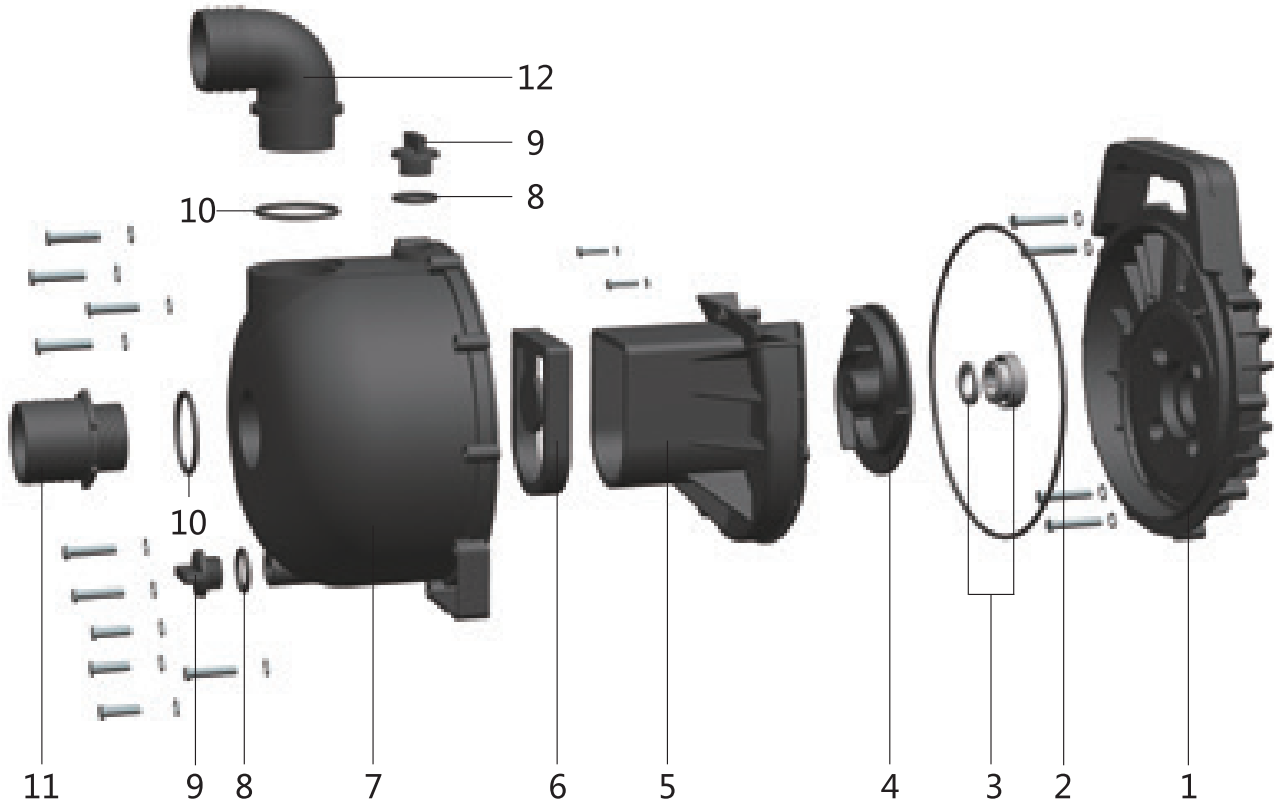




## Model: N50 - 2" Poly Chemical Transfer Pump



Position	Qty	Description
1	1	Pump Cover (Back Plate)
2	1	Pump Casing O-Ring
3	1	Mechanical Seal
4	1	Impeller
5	1	Volute
6	1	Check Valve
7	1	Pump Body (Front Bowl)
8	2	Plug O-Ring
9	2	Whorl Plug
10	2	Gasket
11	1	2" Nipple
12	1	2" Elbow

### Package Information

Model	Weight (KG)	L (mm)	W (mm)	H (mm)
N50 Kit	4.5	330	280	222

