

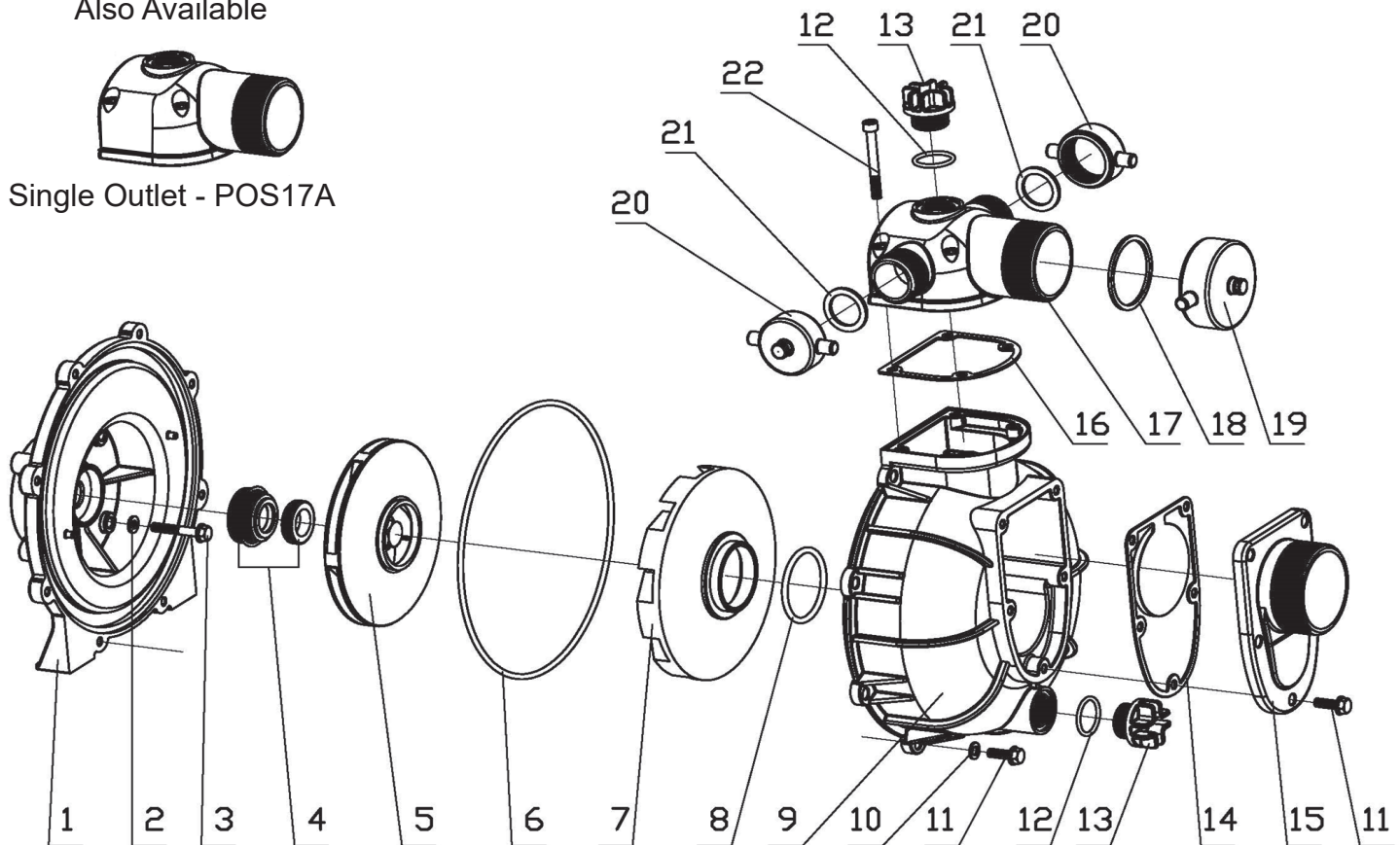


Model: HP30 - 3" High Head Transfer Pump (Fire Fighter)

Also Available



Single Outlet - POS17A



Position	Qty	Description
1	1	Pump cover
2	4	Nylon Washer
3	4	M8 x 50 Hexangular Bolt
4	1	Mechanical Seal
5	1	Impeller Bronze
6	1	O'ring 260 x 5
7	1	Diffuser
8	1	O'ring 63 x 5.3
9	1	Pump Cover
10	8	Washer 8
11	13	M 8 x 50 Hexangular Bolt
12	2	O'ring 31.5 x 3.55
13	2	Plug
14	1	Check Valve
15	1	Inlet Flange
16	1	Sealed Interleaver
17	1	3Way Outlet Flange
17A	1	Single Outlet Flange
18	1	2.5" Sealed Washer
19	1	2.5" Spanner
20	2	1.5" Spanner
21	2	1.5" Washer
22	4	M 8 x 70 Hexangular Bolt