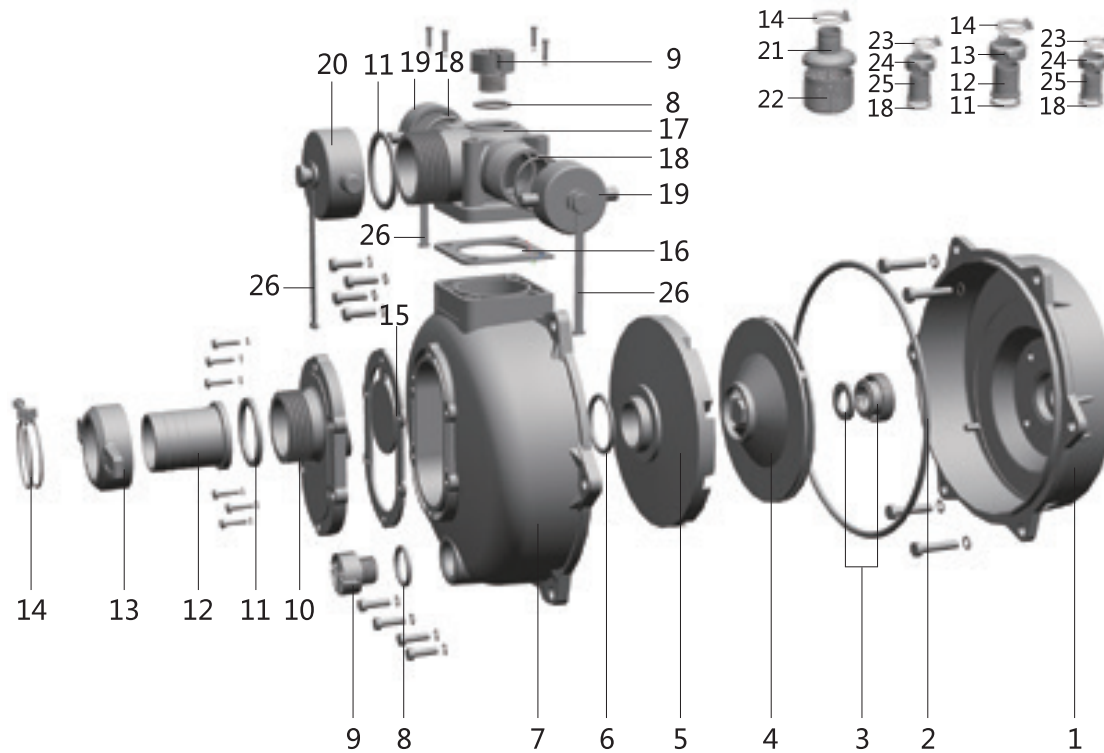




Model: HP20 - 2" High Head Transfer Pump (Fire Fighter)



Postion	Qty	Description
1	1	Pump Cover (Back Plate)
2	1	Pump Casing O-Ring
3	1	Mechanical Seal
4	1	Impeller
5	1	Volute
6	1	Volute O-Ring
7	1	Pump Body (Front Bowl)
8	2	Plug O-Ring
9	2	Plug
10	1	Inlet Flange
11	2	2" Inlet Washer
12	2	2" Hose Tail
13	2	2" Hose Tail Locking Ring
14	3	2" Hose Clamp
15	1	Check Valve
16	1	Outlet Gasket
17	1	Outlet Flange
18	1	2" Outlet Washer
19	1	1½" Poly Cap
20	3	2" Poly Cap
21	1	2" Filter Cover
22	1	2" Filter Basket
23	1	1½" Clamp
24	1	1½" Hose Tail Locking Ring
25	2	1½" Hose Tail
26	2	Rubber Cap Rope