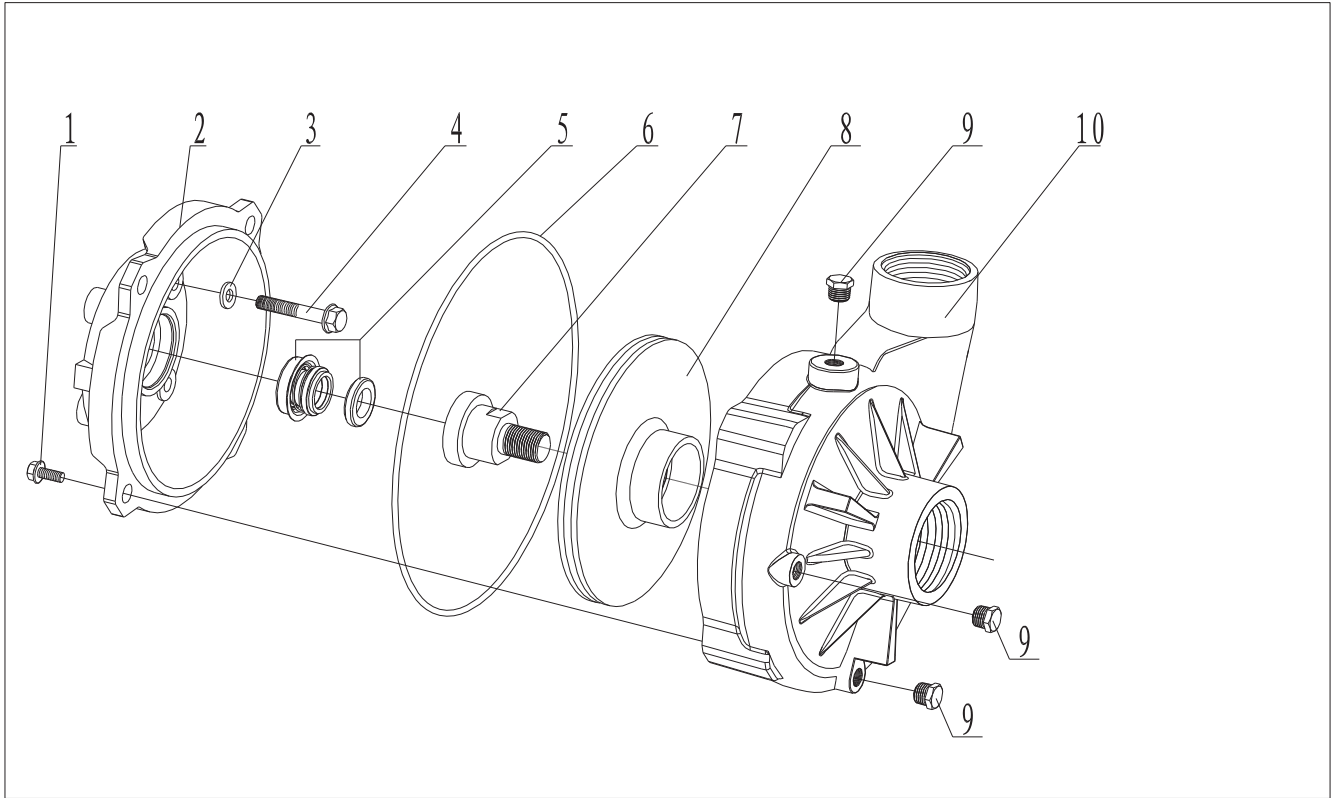




### Model: DFT50 - 2" High Head Transfer Pump (Diesel Transfer)



Position	Qty	Description
1	4	M10 x 20 Hex Bolt
2	1	Pump Back Plate
3	4	M8 Sealed Washer (Copper or Nylon)
4	4	M8 x 30 Hex Bolt
5	1	Mechanical Seal
6	1	Casing O-Ring
7	1	Stub Shaft (Annectent Axis)
8	1	Impeller QXU 3/4" (Parallel or Keyway)
8a	1	Impeller PXU 3/4" (Threaded)
9	3	1/4" Brass Plug
10	1	Pump Front Bowl